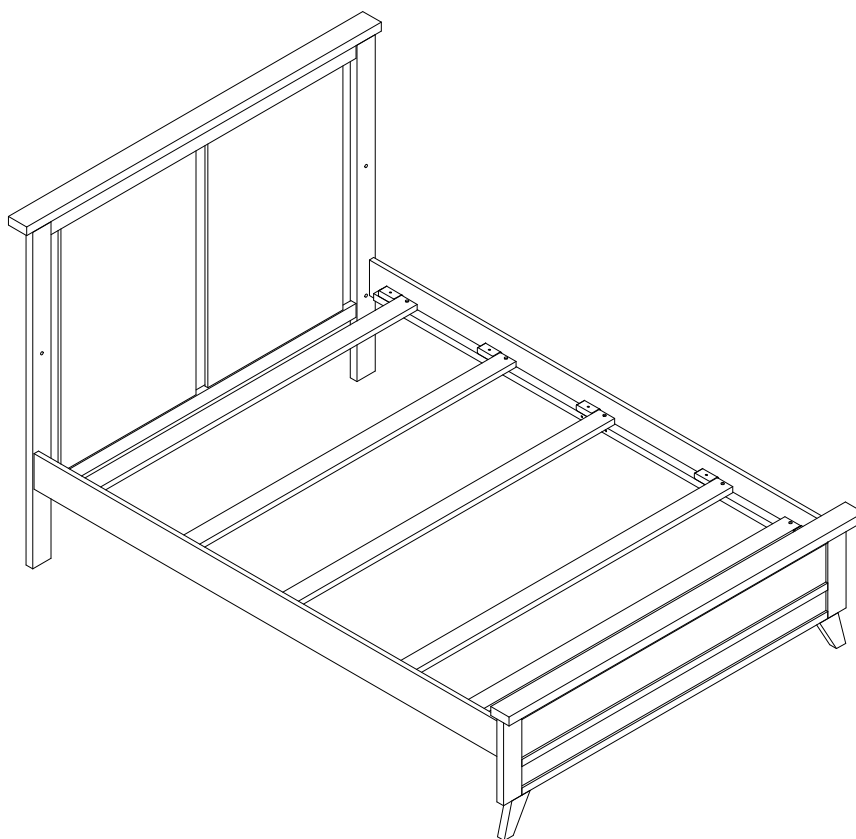


ASSEMBLY INSTRUCTIONS
for Full Bed Conversion Kit with
Low Profile Footboard
HOLLAND 4 IN 1 ACRYLIC CONVERTIBLE CRIB
Model #10508



"RECOMMENDATION: We recommend the use of a Bunkie Board or box spring under a mattress for this conversion kit.

Thank you for your purchase!

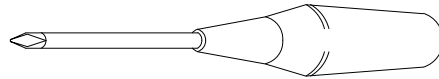
Remove all parts and hardware from the box and lay on a carpeted or scratch -free work surface.
Do not dispose of any contents until assembly is completed.
Familiarize yourself with all exhibits and diagrams to facilitate the assembly of your crib.

TOOLS REQUIRED:

ALLEN KEY (Included)

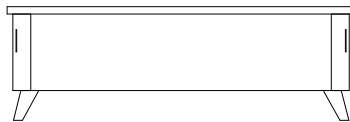


SCREW DRIVER (Not Included)



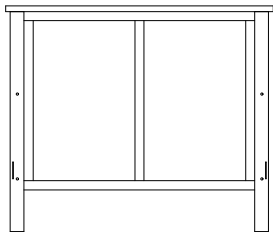
PARTS ENCLOSED IN CARTON

A. Low profile footboard (1 pc)

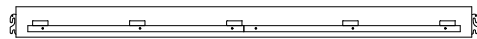


PARTS REQUIRED (INCLUDED IN THE CRIB CARTON AND CONVERSION KIT)

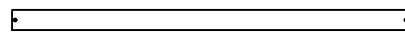
Headboard (1 pc)



Rail (2 pcs)

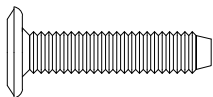


Slat (5 pcs)

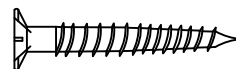


HARDWARE REQUIRED (INCLUDED IN CONVERSION KIT)

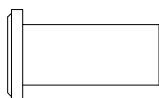
(C) Allen Bolt 1"(25 mm) (2 pcs)



(D) Screw 1-1/4"(30 mm) (10 pcs)



(E) Nut 3/4" (20mm) (2 pcs)



(F) Allen key (2 pcs) (length may vary)

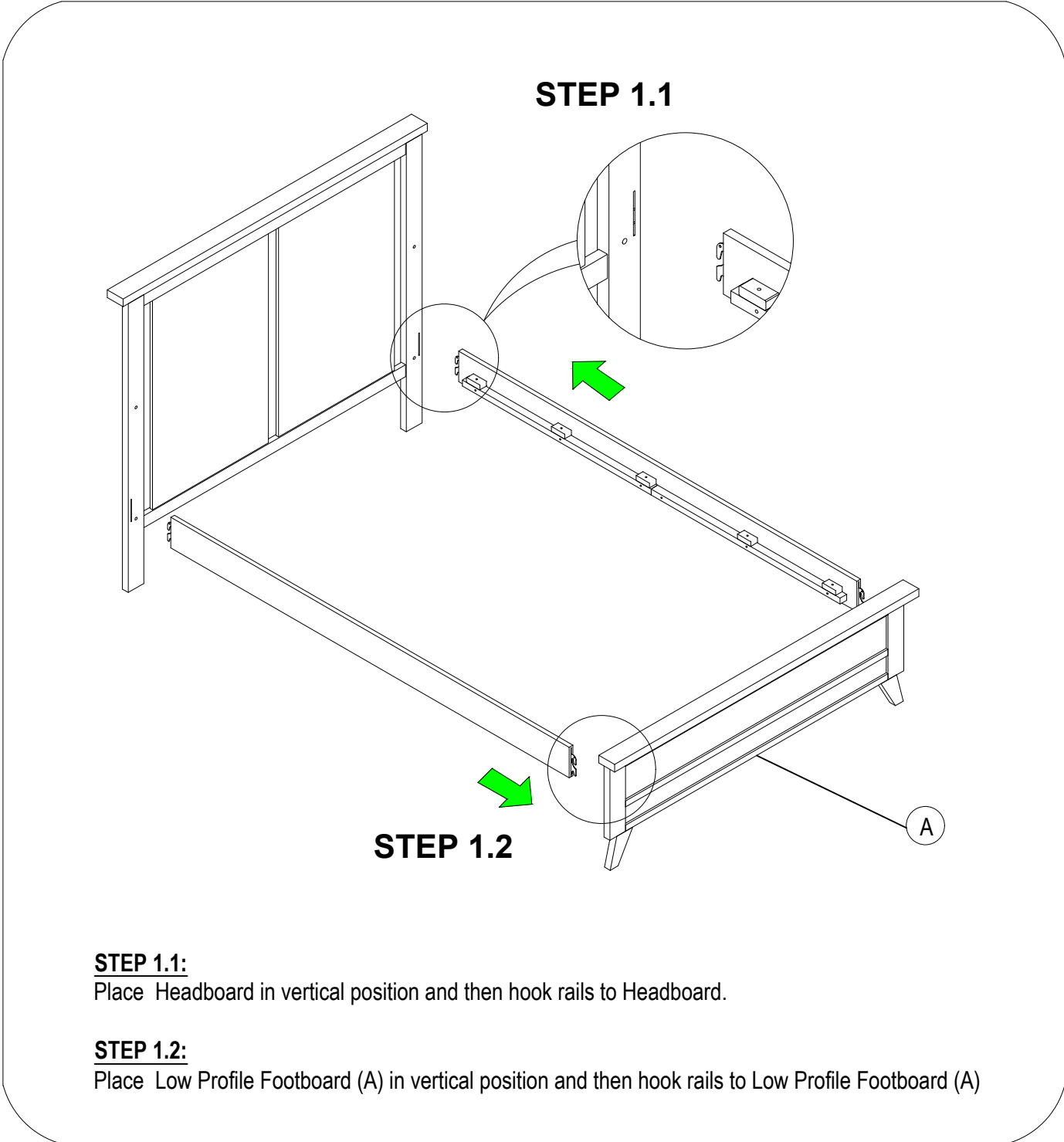


Do not fully tighten all bolts until all parts are in place.
(please add an extra 1/2 revolution to the bolts when using spring washer after tightening)

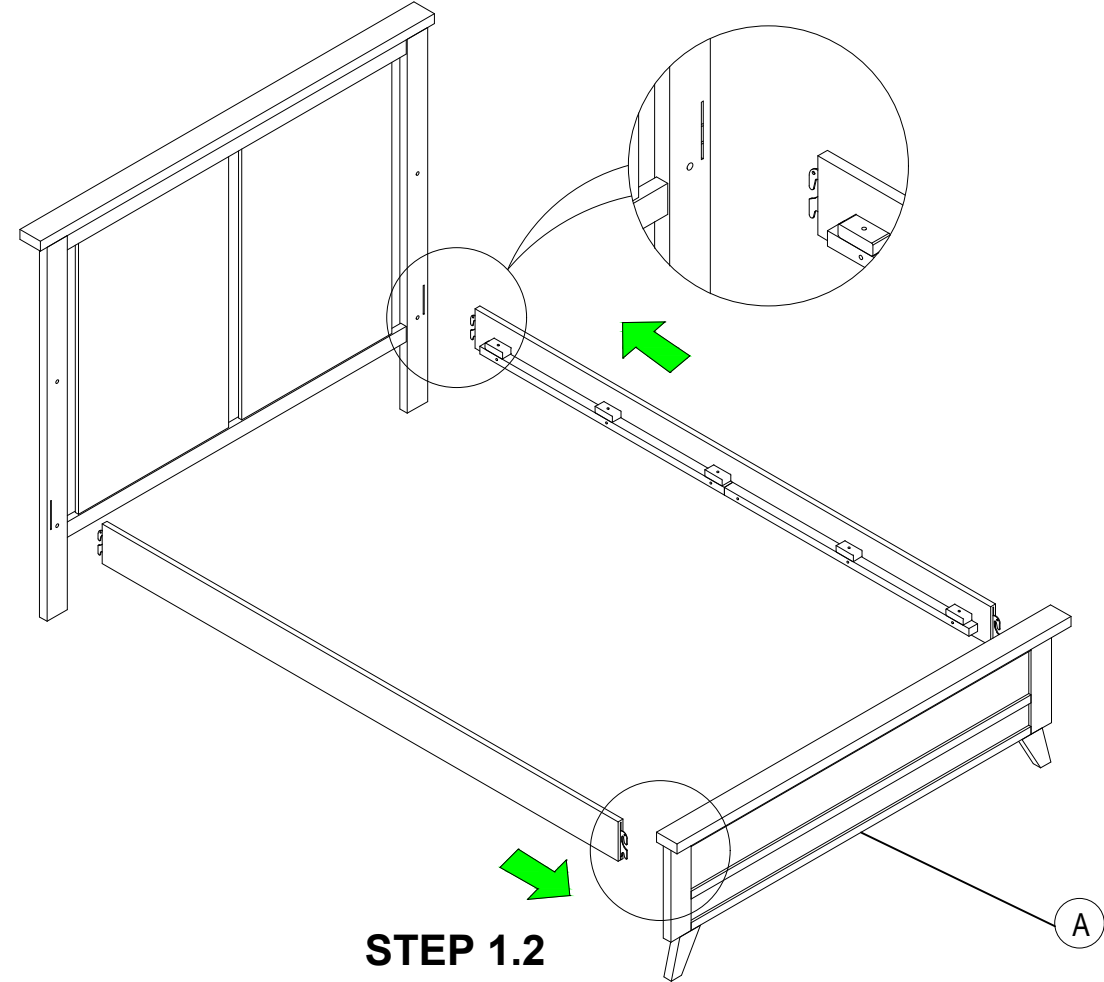
STEP 1 " ASSEMBLY OF HEADBOARD AND FOOTBOARD"

THIS STEP REQUIRES :

- Headboard (1 pc)
- Rail (2 pcs)
- A. Low Profile Footboard (1 pc)



STEP 1.1



STEP 1.2

STEP 1.1:

Place Headboard in vertical position and then hook rails to Headboard.

STEP 1.2:

Place Low Profile Footboard (A) in vertical position and then hook rails to Low Profile Footboard (A)

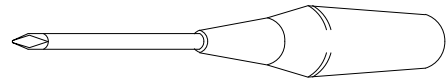
STEP 2 " ASSEMBLY OF SLATS"

THIS STEP REQUIRES :

Slat (5 pcs)

F. Allen key (2 pcs)

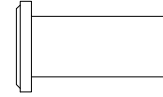
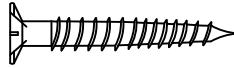
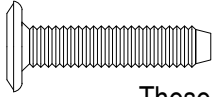
SCREW DRIVER (Not Included)



C. Allen Bolt 1"(25 mm) (2 pcs)

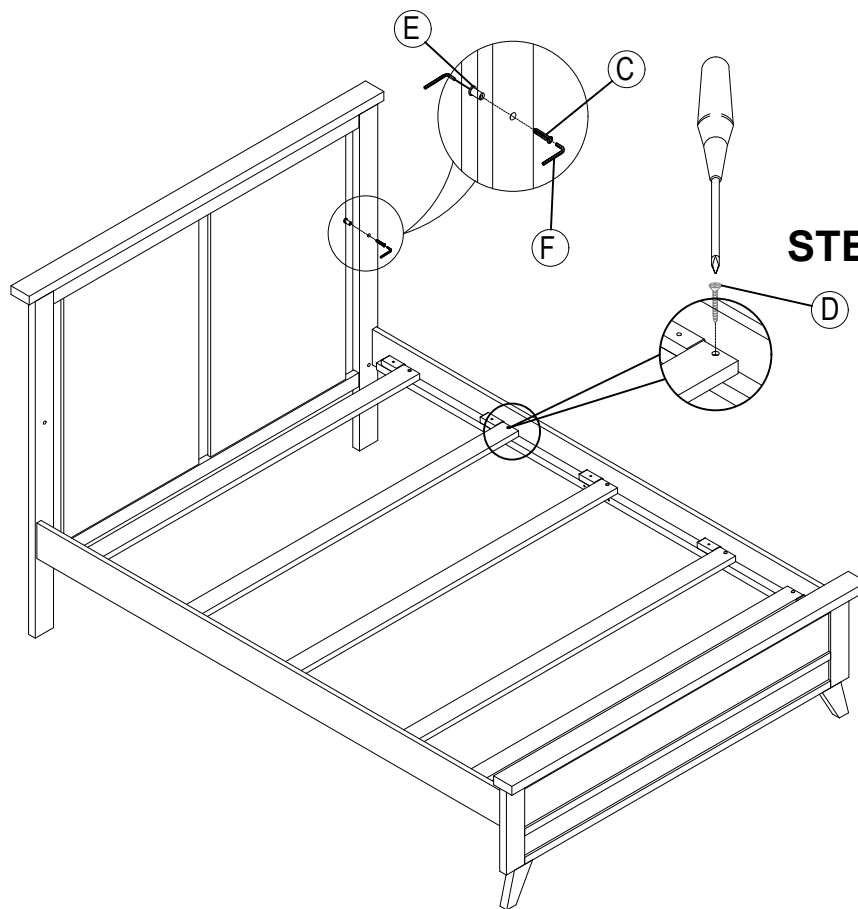
D. Screw 1-1/4"(30 mm) (10 pcs)

E. Nut 3/4" (20mm) (2 pcs)



These hardware are included in the CONVERSION KIT

STEP 2.2



STEP 2.1:

- After attaching Rails to headboard and footboard, place Slat on the support strip of Rail, fasten both ends of Slat with screw (D).
- Tighten all Screws with Screw Driver (not included).

STEP 2.2:

- Insert Allen bolt 1" (25 mm) (C), through the top hole in the headboard from the inside and connect with nut 3/4" (20 mm) (E).
- Tighten all bolts and nuts with Allen key (F). Assembly complete. Thanks you!