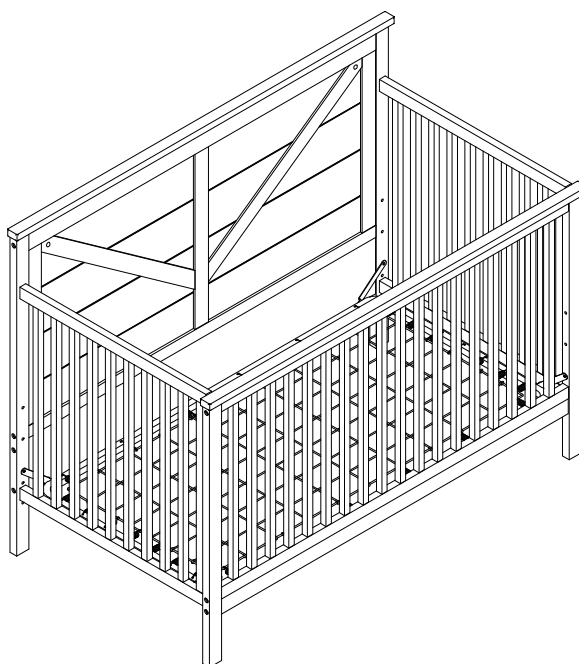


ASSEMBLY INSTRUCTIONS
for convertible crib
MONTAUK 4 IN 1 CONVERTIBLE CRIB
Model #12211



GUARDRAIL and CONVERSION KIT sold separately.
Please contact retailer

**THIS PRODUCT CONFORMS TO THE APPLICABLE SECTION OF PUBLIC LAW 110-314
AND COMPLIES WITH THE REQUIREMENTS STATED IN 16 CFR 1219 AND 16 CFR 1217
(WHEN MONTAUK GUARDRAIL IS USED).**

Thank you for your purchase!

Remove all parts and hardware from the box and lay on a carpeted or scratch-free work surface.

Do not dispose of any contents until assembly is completed.

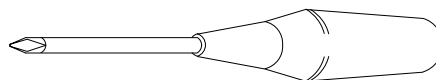
Familiarize yourself with all exhibits and diagrams to facilitate the assembly of your crib.

TOOLS REQUIRED:

ALLEN KEY (included)

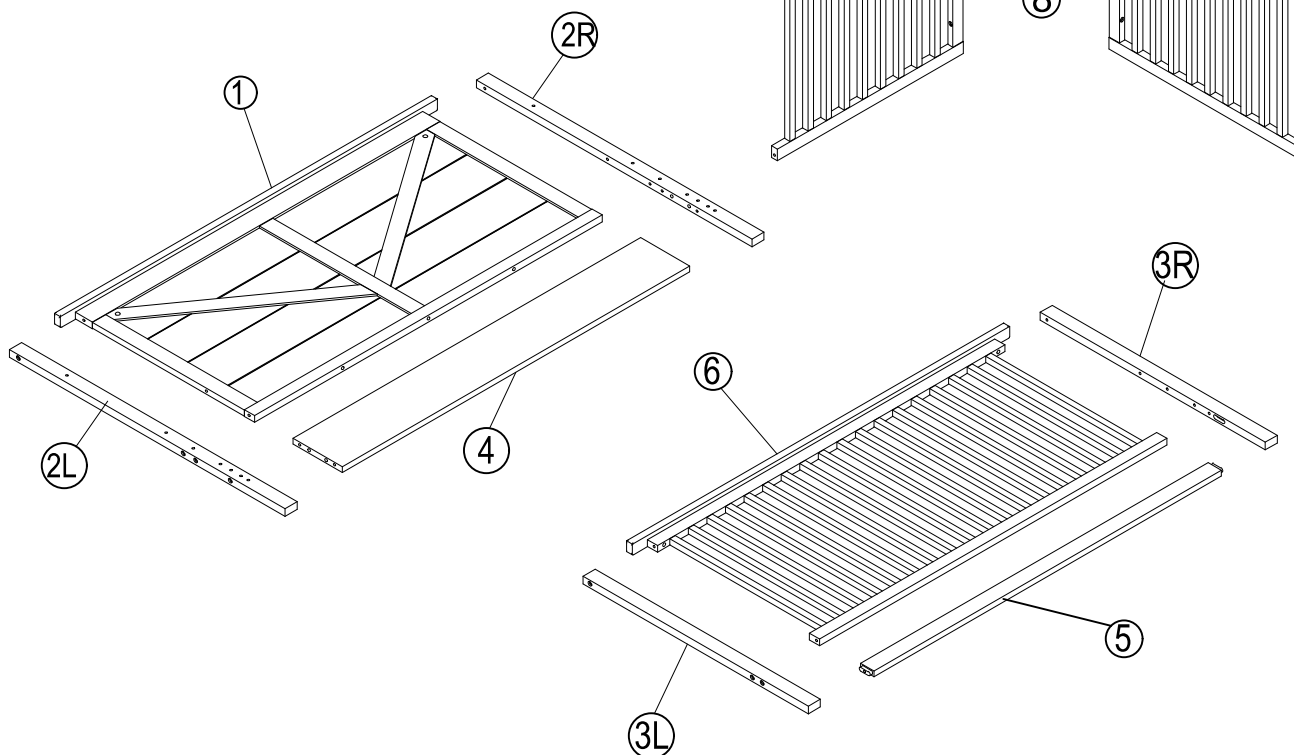
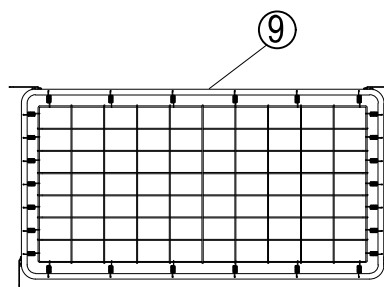


Screwdriver (not included)



PARTS ENCLOSED IN CARTON

- | | |
|---------------------------|-------------|
| 1. Headboard frame | (1 pc) |
| 2. Headboard Posts | (2 pcs L&R) |
| 3. Footboard Posts | (2 pcs L&R) |
| 4. Headboard bottom panel | (1 pc) |
| 5. Stabilizer bar | (1 pc) |
| 6. Footboard frame | (1 pc) |
| 7. Left sideboard | (1 pc) |
| 8. Right sideboard | (1 pc) |
| 9. Mattress Spring | (1 pc) |

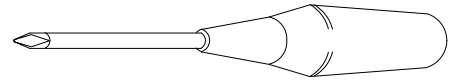


TOOLS REQUIRED:

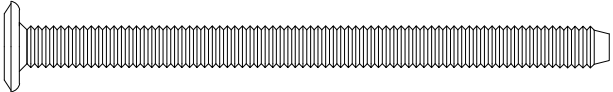
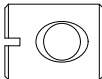

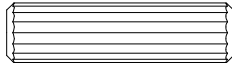
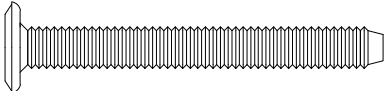
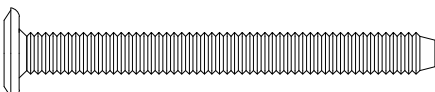
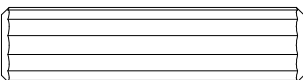
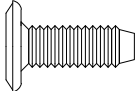

ALLEN KEY (included)



Screwdriver (not included)



HARDWARE

<p>(A) Allenbolt 3-1/8"(78 mm) (12 pcs)</p> 	<p>(B) Barrel Nut (16 pcs)</p> 
<p>(C) Spring washer (22 pcs)</p> 	<p>(D) Wood dowel Ø8x30mm (2 pcs)</p> 
<p>(E) Allenbolt 1-7/8"(48 mm) (4 pcs)</p> 	<p>(F) Allenbolt 2-3/16" (55 mm) (6 pcs)</p> 
<p>(G) Wood dowel Ø10x40mm (7 pcs)</p> 	<p>(K) AllenBolt 9/16"(15 mm) (4 pcs)</p> 
	<p>(H) Allen key (1 pc) (length may vary)</p> 

Do not fully tighten all bolts until all parts are in place.
 (please add an extra 1/2 revolution to the bolts when using spring washer after tightening)

STEP 1 "ASSEMBLY OF HEADBOARD"

THIS STEP REQUIRES :

1. Headboard frame (1 pc)
2. Headboard posts (2 pcs L&R)
4. Headboard bottom panel (1 pc)

(H) Allen key (1 pc)

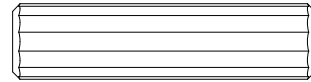
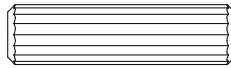
(A) Allen Bolt 3-1/8" (78 mm) (8 pcs)

(B) Barrel Nut (8 pcs)

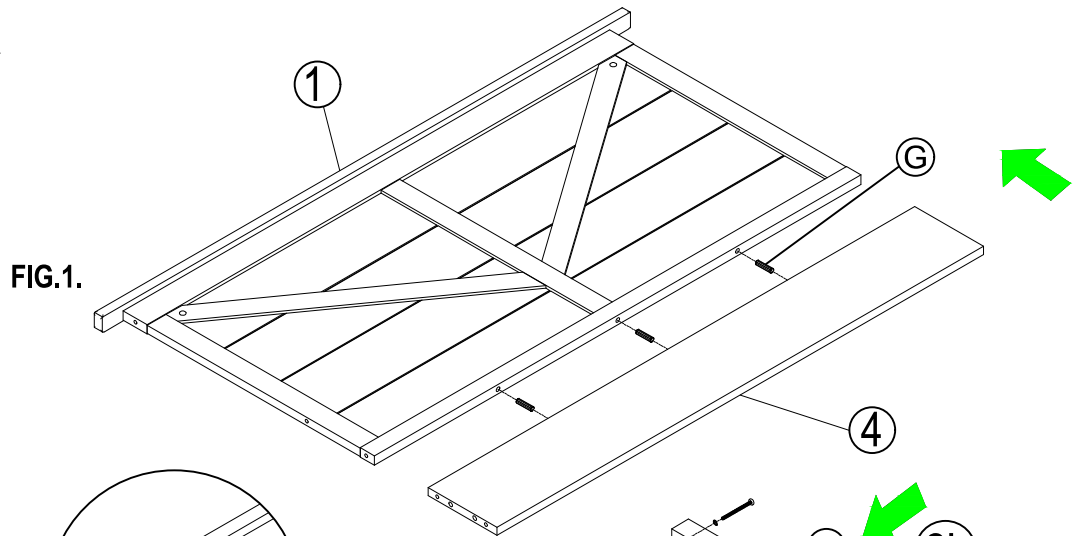
(G) Wood dowel Ø10x40mm (7 pcs)

(C) Spring washer (8 pcs)

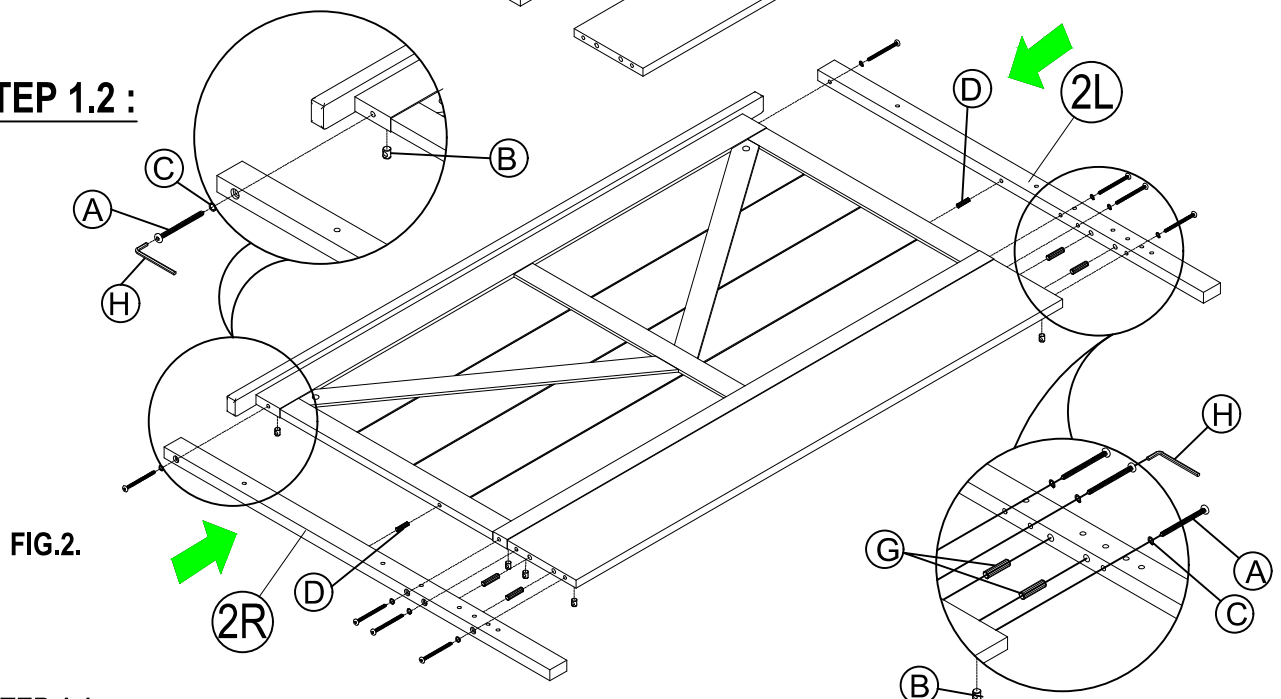
(D) Wood dowel Ø8x30mm (2 pcs)



STEP 1.1 :



STEP 1.2 :



STEP 1.1 :

- Attach Headboard bottom panel (4) to Headboard frame (1) by using Wood dowel (G) as shown in FIG.1.

STEP 1.2 :

- Insert Wood dowel (D) and (G) to Headboard frame as shown in FIG.2. Assembly the Headboard post (L&R) (2) to the hole on Headboard frame (1) and Headboard bottom panel (4) by Allen bolt (A), Spring washer (C) and Barrel Nut (B). Tighten all bolts by Allen Key (H).

STEP 2 " ASSEMBLY OF HEADBOARD TO SIDE FRAME"

THIS STEP REQUIRES :

3. Footboard posts (2 pcs L&R)

7. Left sideboard (1pc)

8. Right sideboard (1 pc)

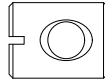
(C) Spring washer (8 pcs)



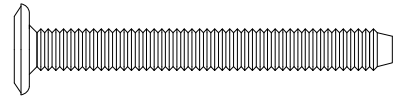
(H) Allen key (1 pc)



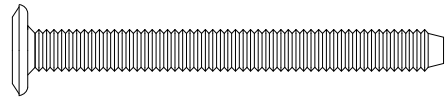
(B) Barrel Nut (4 pcs)



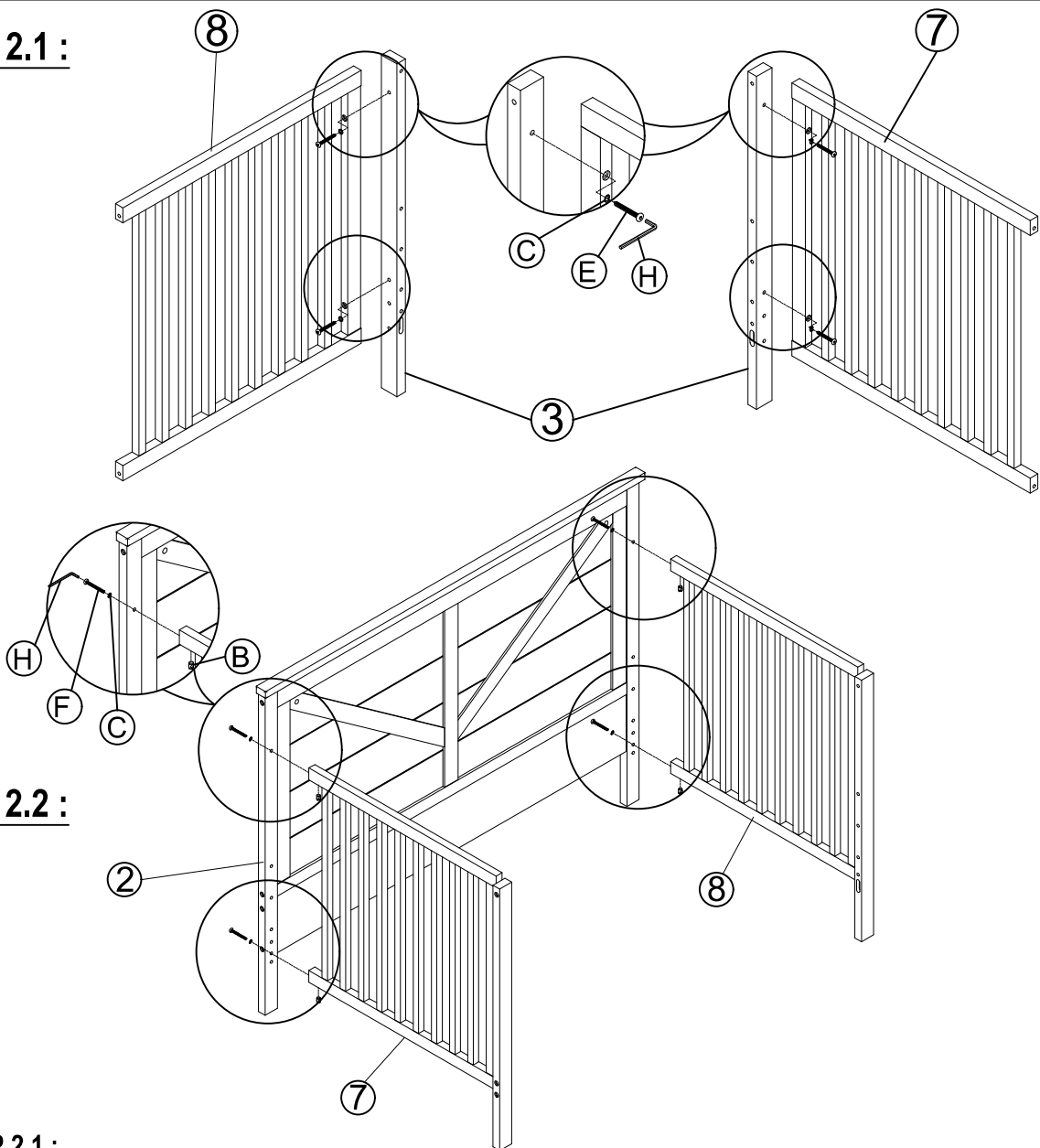
(E) Allenbolt 1-7/8"(48 mm) (4 pcs)



(F) Allenbolt 2-3/16" (55 mm) (4 pcs)



STEP 2.1 :



STEP 2.2 :

STEP 2.1 :

- Assembly Left sideboard (7) and Right sideboard (8) with Footboard Post (L&R) (3) by Allen bolt (E) and Spring washer (C) . Tighten all bolts by Allen key (H).

STEP 2.2 :

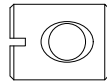
- Assembly the Sideboard (L&R) (7) (8) to the hole on Headboard post (L&R)(2) by Allen bolt (F), Spring washer (C) and Barrel Nut (B). Tighten all bolts by Allen Key (H).

STEP 3 " SPRING INSTALLATION "

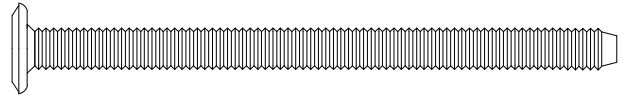
THIS STEP REQUIRES:

- 5. Stabilizer bar (1 pc)
- 9. Mattress Spring (1 pc)

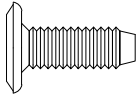
(B) Barrel Nut (2 pcs)



(A) Allen Bolt 3-1/8" (78 mm) (2 pcs)



(K) Allen Bolt 9/16"(15 mm) (4 pcs)



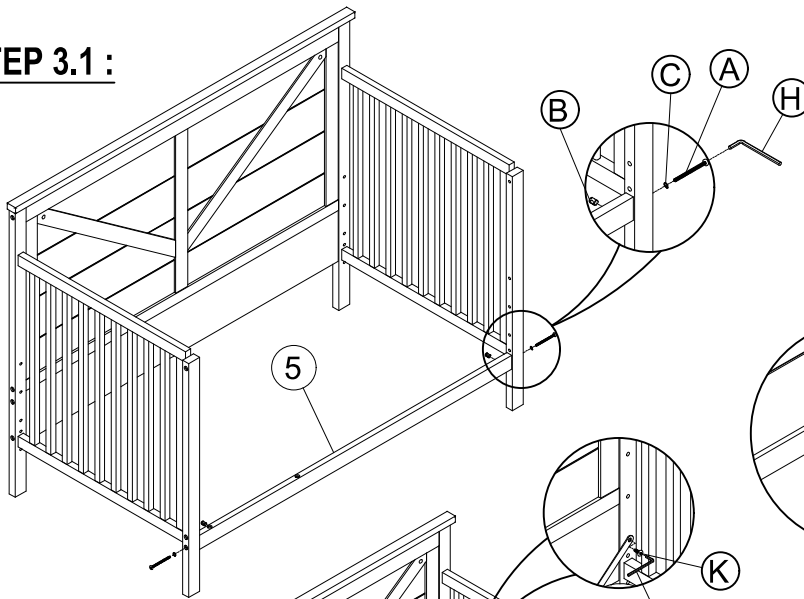
(C) Spring washer (2 pcs)



(H) Allen key (1 pc)

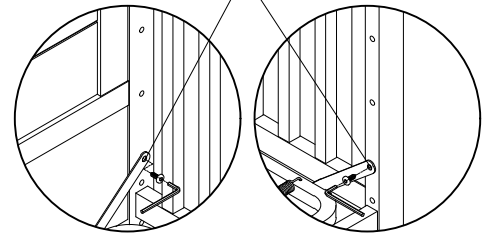


STEP 3.1 :

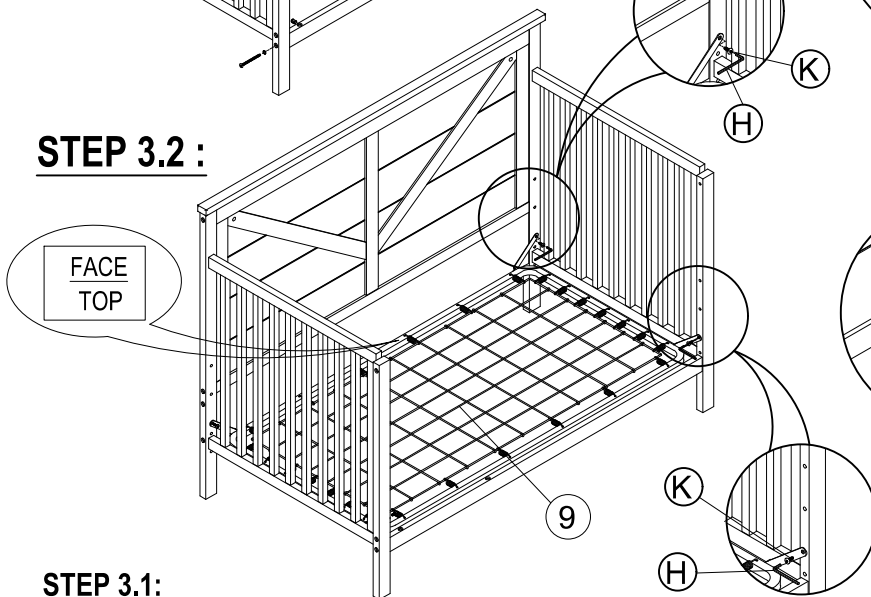


Lowest position

FIG.3.

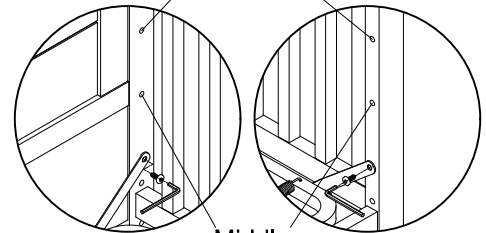


STEP 3.2 :



Highest position

FIG.4.



Middle position

STEP 3.1:

- Assemble Footboard Post (L&R) (3) with Stabilizer bar (5) by Allen bolt (A), Spring washer (C) and Barrel Nut (B). Tighten all bolts by Allen key (H).

STEP 3.2:

- Attach Mattress Spring (9) to Side board as shown in FIG.3.
- Secure with Allen key (H).
- See FIG.4. for height adjustment.
- Make sure the Mattress Spring (9) is leveled after assembly.

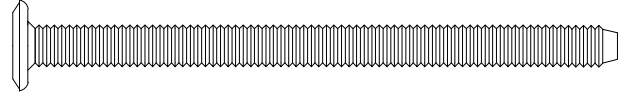
STEP 4 " ASSEMBLY FOOTBOARD"

THIS STEP REQUIRES::

6. Footboard frame (1 pc)

(H) Allen key (1 pc)

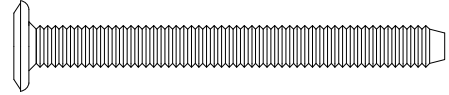
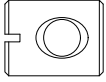
(A) AllenBolt 3-1/8" (78 mm) (2 pcs)



(B) Barrel Nut (2 pcs)

(C) Spring washer (4 pcs)

(F) Allenbolt 2-3/16" (55 mm) (2 pcs)



STEP 4 :

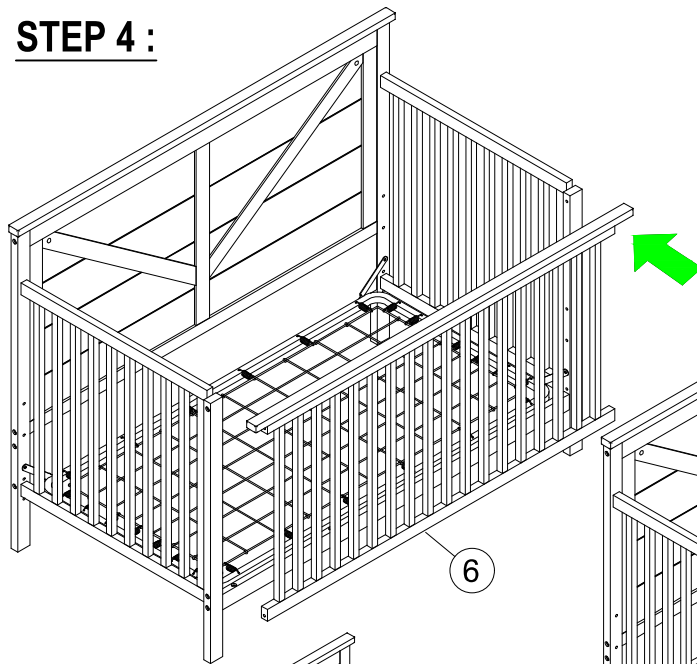


FIG.5.

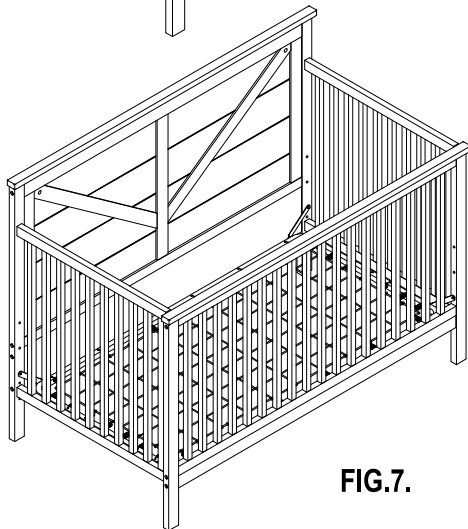
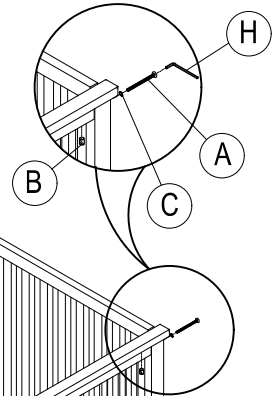


FIG.7.

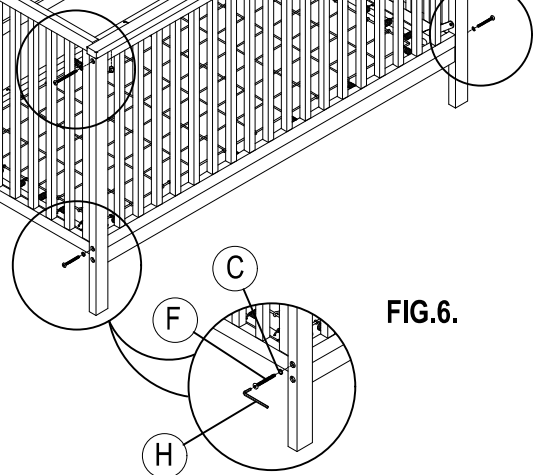



FIG.6.

STEP 4 :

- Assembly the upper rail of Footboard frame (6) to the Footboard Post (L&R) (3) by Allen bolt (A), Spring washer (C) and Barrel Nut (B) as shown in FIG.5. Tighten all bolts by Allen Key (H).
- Assembly the bottom rail of Footboard frame (6) to the Footboard Post (L&R) (3) by Allen bolt (F), Spring washer (C) as shown in FIG.6. Tighten all bolts by Allen Key (H). Complete assembly as shown in FIG.7.

 **“CAUTION: ANY MATTRESS USED IN THIS CRIB MUST BE AT LEAST 27 1/4 INCHES (69 CM) BY 51 5/8 INCHES (131 CM) WITH A THICKNESS NOT EXCEEDING 6 INCHES (15 CM). THE DIMENSIONS OF THE MATTRESS SHALL BE TAKEN FROM SEAM TO SEAM OR EDGE TO EDGE WHERE APPROPRIATE.”**

WARNING!

- READ ALL INSTRUCTIONS BEFORE ASSEMBLING CRIB.

KEEP INSTRUCTIONS FOR FUTURE USE.

- FAILURE TO FOLLOW THESE WARNINGS AND THE ASSEMBLY INSTRUCTIONS COULD RESULT IN SERIOUS INJURY OR DEATH.
- INFANTS CAN SUFFOCATE ON SOFT BEDDING. NEVER ADD A PILLOW OR COMFORTER. NEVER PLACE ADDITIONAL PADDING UNDER AN INFANT.
- TO REDUCE THE RISK OF **SIDS**, PEDIATRICIANS RECOMMEND HEALTHY INFANTS BE PLACED ON THEIR BACKS TO SLEEP, UNLESS OTHERWISE ADVISED BY YOUR PHYSICIAN.

STRANGULATION HAZARD:

- STRINGS CAN CAUSE STRANGULATION! **DO NOT** PLACE ITEMS WITH A STRING AROUND A CHILD'S NECK, SUCH AS HOOD STRINGS OR PACIFIER CORDS. **DO NOT** SUSPEND STRINGS OVER A CRIB OR ATTACH STRINGS TO TOYS.
- TO HELP PREVENT STRANGULATION TIGHTEN ALL FASTENERS. A CHILD CAN TRAP PARTS OF THE BODY OR CLOTHING ON LOOSE FASTENERS.
- **DO NOT** PLACE CRIB NEAR WINDOW WHERE CORDS FROM BLINDS OR DRAPES MAY STRANGLE A CHILD.

FALL HAZARD:

- WHEN CHILD IS ABLE TO PULL TO A STANDING POSITION, SET MATTRESS TO LOWEST POSITION AND REMOVE BUMPER PADS, LARGE TOYS AND OTHER OBJECTS THAT COULD SERVE AS STEPS FOR CLIMBING OUT.
- STOP USING CRIB WHEN CHILD BEGINS TO CLIMB OUT OR REACHES THE HEIGHT OF 35 IN (89 CM). THE CHILD SHOULD BE PLACED IN A YOUTH OR REGULAR BED.
- CHECK THIS PRODUCT FOR DAMAGED HARDWARE, LOOSE JOINTS, LOOSE BOLTS OR OTHER FASTENERS, MISSING PARTS OR SHARP EDGES, BEFORE AND AFTER ASSEMBLY AND FREQUENTLY DURING USE. SECURELY TIGHTEN LOOSE BOLTS AND OTHER FASTENERS. **DO NOT** USE CRIB IF ANY PARTS ARE MISSING, DAMAGED OR BROKEN. CONTACT M DESIGN VILLAGE , 701 COTTONTAIL LANE, SOMERSET, NJ 08873; PHONE: 1-844-247-5908; EMAIL: INFO@MDESIGNVILLAGE.COM FOR REPLACEMENT PARTS AND INSTRUCTIONAL LITERATURE IF NEEDED. **DO NOT** SUBSTITUTE PARTS.
- **DO NOT** USE A WATER MATTRESS WITH THIS CRIB.

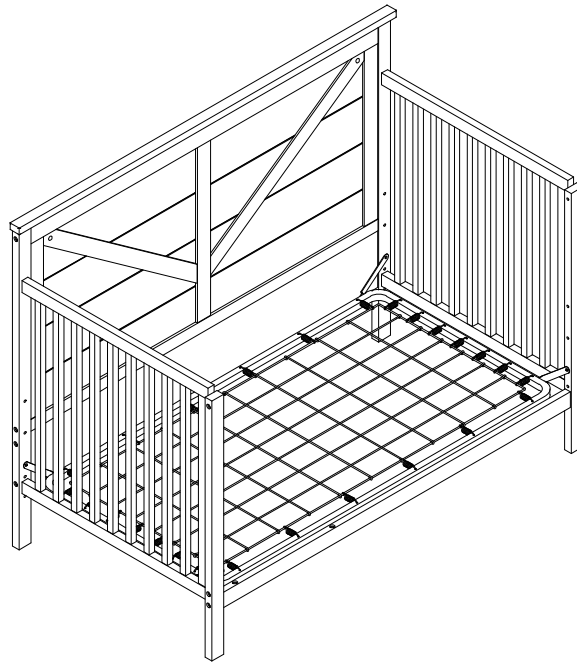
WARNING!

- IF REFINISHING, USE A NON-TOXIC FINISH SPECIFIED FOR CHILDREN'S PRODUCTS.
- FOLLOW WARNINGS ON ALL PRODUCTS IN A CRIB.
UPON COMPLETION OF ASSEMBLY, BE SURE ALL SCREWS, BOLTS AND FASTENING DEVICES HAVE BEEN SECURELY TIGHTENED. A FREQUENT CHECK SHOULD BE MADE.
- WHEN STORING CRIB, USE CAUTION AS EXTREME CHANGE IN TEMPERATURE OR HUMIDITY CAN COMPROMISE THE FINISHING QUALITY OF CRIB, MAKING IT EXTREMELY DANGEROUS TO YOUR CHILD
- STORE THE CRIB IN A CLEAN DRY PLACE.
- USE CAUTION WHEN A VAPORIZER OR HUMIDIFIER IS IN USE. ALWAYS AIM VAPOR AWAY FROM THE CRIB AS WELL AS ANY OTHER WOODEN FURNITURE. PROLONGED PERIODS OF HUMIDITY IN STORAGE AS WELL AS THE HOME CAN COMPROMISE THE FINISHING QUALITY OF CRIB.
- AVOID USING VAPORIZERS AND HUMIDIFIER FOR PROLONGED PERIODS OF TIME.
- PLEASE DISPOSE ALL PACKAGING AND PLASTIC BAGS.
- PLEASE CLEAN THE CRIB WITH A DRY CLOTH AND USE MILD WOOD POLISH IF REQUIRED.
- NEVER USE PLASTIC SHIPPING BAGS OR OTHER PLASTIC FILM AS MATTRESS COVERS BECAUSE THEY CAN CAUSE SUFFOCATION.
- INFANTS CAN SUFFOCATE IN GAPS BETWEEN CRIB SIDES AND A MATTRESS THAT IS TOO SMALL.

CANADIAN WARNING

- DO NOT USE THIS CRIB IF YOU CANNOT EXACTLY FOLLOW THE INSTRUCTION THAT COMES WITH IT.
- DO NOT USE THIS CRIB FOR A CHILD WHO CAN CLIMB OUT OF IT OR WHO IS TALLER THAN 89 CM.
- DO NOT PLACE ANY CORD, STRAP OR SIMILAR ITEM IN OR NEAR THIS CRIB THAT COULD BECOME WRAPPED AROUND A CHILD'S NECK.
- DO NOT PLACE THIS CRIB NEAR A WINDOW OR A PATIO DOOR WHERE A CHILD COULD REACH THE CORD OF A BLIND OR A CURTAIN AND BE STRANGLER.
- CHECK THIS CRIB REGULARLY BEFORE USING IT AND DO NOT USE IT IF ANY PARTS ARE LOOSE OR MISSING OR IF THERE ARE ANY SIGNS OF DAMAGE. DO NOT SUBSTITUTE PARTS. CONTACT M DESIGN VILLAGE IF REPLACEMENT PARTS OR ADDITIONAL INSTRUCTIONS ARE NEEDED.
- CHILDREN CAN SUFFOCATE ON SOFT BEDDING. DO NOT PLACE PILLOWS, COMFORTERS OR SOFT MATTRESSES IN THIS CRIB.
- USE A CRIB MATTRESS THAT IS NO THICKER THAN 15 CM AND IS OF SUCH A SIZE THAT, WHEN IT IS PUSHED FIRMLY AGAINST ANY SIDE OF CRIB, IT DOES NOT LEAVE A GAP OF MORE THAN 3 CM BETWEEN THE MATTRESS AND ANY PART OF ANY OTHER SIDES OF THE CRIB.

ASSEMBLY INSTRUCTIONS
for toddler bed
MONTAUK 4 IN 1 CONVERTIBLE CRIB
Model #12211



GUARDRAIL and CONVERSION KIT sold separately.
Please contact retailer.

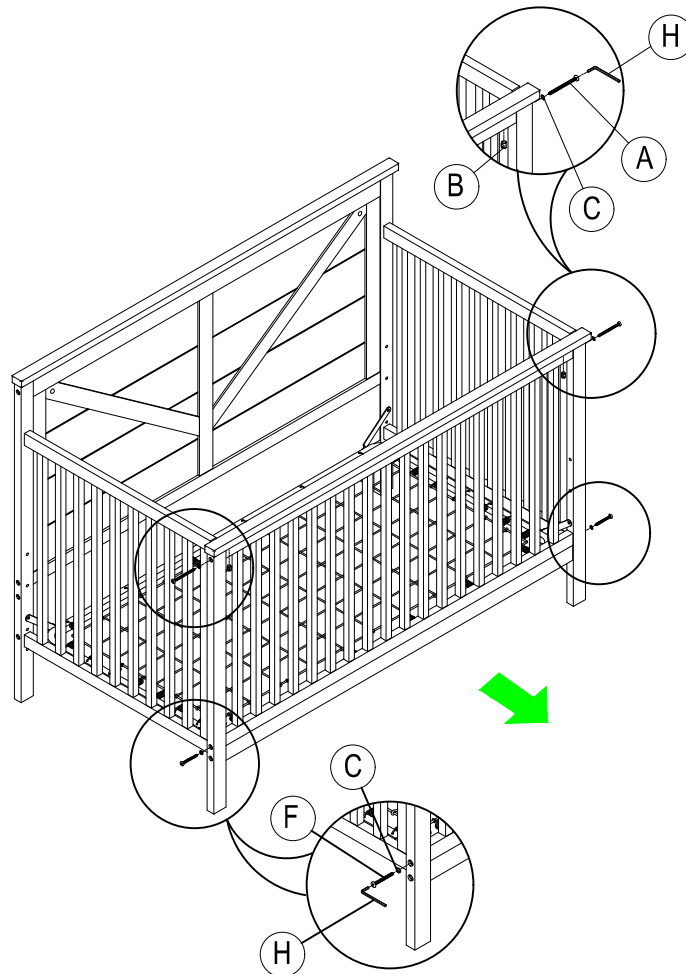
STEP 1 " UNINSTALL FOOTBOARD FRAME"

THIS STEP REQUIRES:

(H) Allen key (1 pc)



FIG.1



Remove the Footboard frame (6) from the Footboard Post (L&R) (3) by unscrewing (2 pcs) Allen bolt (A) and (2 pcs) Allen bolt (F) as shown in FIG.1.

STEP 2 " MATTRESS SUPPORT HEIGHT ADJUSTMENT "

THIS STEP REQUIRES:

These hardware are included in the CRIB.

H. Allen key (1 pc)



(K) AllenBolt 9/16"(15 mm) (4 pcs)

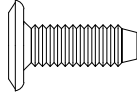


FIG.3.

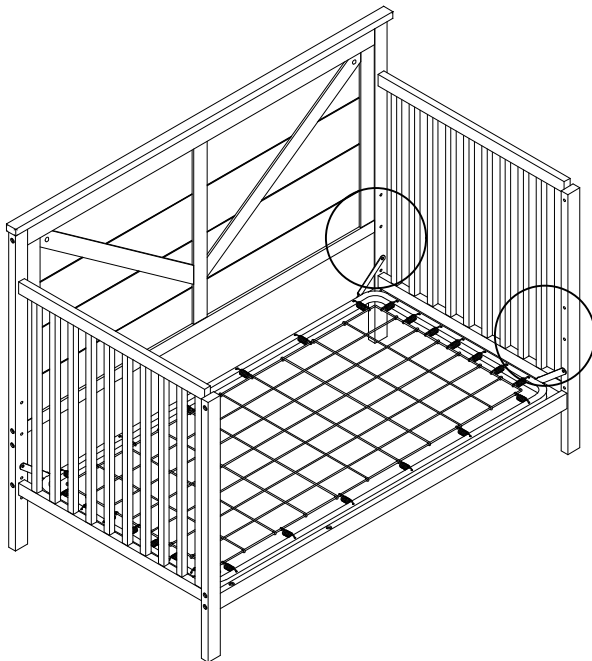
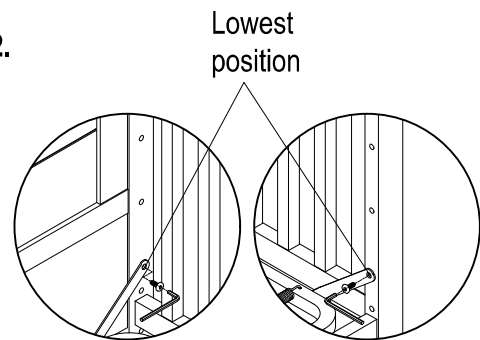



FIG.2.



- Remove the Allenbolt 9/16"(15 mm) (K) on the Mattress spring.
- Move Mattress spring to the lowest position as shown in FIG.2.
- Attach the Allenbolt 9/16"(15 mm) (K) on the lowest hole of Sideboard.
- Tighten all bolts with Allen key (H).
- Final position as shown in FIG.3.

 **“CAUTION: ANY MATTRESS USED IN THIS CRIB MUST BE AT LEAST 27 1/4 INCHES (69 CM) BY 51 5/8 INCHES (131 CM) WITH A THICKNESS NOT EXCEEDING 6 INCHES (15 CM). THE DIMENSIONS OF THE MATTRESS SHALL BE TAKEN FROM SEAM TO SEAM OR EDGE TO EDGE WHERE APPROPRIATE.”**

 **WARNING!**

FOR TODDLER BED USE

- READ ALL INSTRUCTIONS BEFORE ASSEMBLING TODDLER BED.
KEEP INSTRUCTIONS FOR FUTURE USE.
- FAILURE TO FOLLOW THESE WARNINGS AND THE ASSEMBLY INSTRUCTIONS COULD RESULT IN SERIOUS INJURY OR DEATH FROM ENTRAPMENT OR STRANGULATION.
- **CAUTION:** THE MATTRESS INTENDED FOR USE ON THE BED SHALL BE A FULL-SIZE CRIB MATTRESS HAVING MINIMUM DIMENSION OF 51 5/8 INCHES (1310 MM) IN LENGTH AND 27 1/4 INCHES (690 MM) IN WIDTH AND NOT EXCEEDING 6 INCHES (150 MM) IN THICKNESS. THE DIMENSION OF THE MATTRESS SHALL BE TAKEN FROM SEAM TO SEAM OR EDGE TO EDGE WHERE APPROPRIATE.
- THE MINIMUM AGE OF THE INTENDED USER SHALL NOT BE LESS THAN 15 MONTHS AND THE MAXIMUM WEIGHT SHALL NOT BE GREATER THAN 50 LB (22.7 KG).
- **GUARDRAIL (SOLD SEPARATELY) MUST BE USED** WHEN CRIB USED AS A TODDLER BED TO AVOID THE FORMATION OF A GAP BETWEEN THE MATTRESS AND THE BED THAT COULD CAUSE AN ENTRAPMENT.
- **DO NOT** PLACE BED NEAR WINDOWS WHERE CORDS FROM BLINDS OR DRAPES MAY STRANGLE A CHILD.
- **DO NOT** PLACE ITEMS WITH A STRING, CORD, OR RIBBON AROUND A CHILD'S NECK, SUCH AS HOOD STRINGS OR PACIFIER CORDS.
- **DO NOT** SUSPEND STRINGS OVER A TODDLER BED FOR ANY REASON.
- WHEN STORING TODDLER BED USE CAUTION AS EXTREME CHANGE IN TEMPERATURE OR HUMIDITY CAN COMPROMISE THE TODDLER BED MAKING IT EXTREMELY DANGEROUS TO YOUR CHILD. STORE THE TODDLER BED IN A CLEAN DRY PLACE.
- USE CAUTION WHEN A VAPORIZER OR HUMIDIFIER IS IN USE. ALWAYS AIM VAPOR AWAY FROM THE TODDLER BED AS WELL AS ANY OTHER WOODEN FURNITURE. PROLONGED PERIODS OF HUMIDITY IN STORAGE AS WELL AS THE HOME CAN COMPROMISE THE TODDLER BED.
- AVOID USING VAPORIZERS AND HUMIDIFIER FOR PROLONGED PERIODS OF TIME.
- PLEASE DISPOSE ALL PACKAGING AND PLASTIC BAGS.
- PLEASE CLEAN THE TODDLER BED WITH A DRY CLOTH AND USE MILD WOOD POLISH IF REQUIRED.
- **PREVENT BURNS.** KEEP BED AWAY FROM OPEN FIRES AND OTHER HEAT SOURCES.
- CHECK THIS PRODUCT FOR DAMAGED HARDWARE, LOOSE JOINTS, LOOSE BOLTS OR OTHER FASTENERS, MISSING PARTS OR SHARP EDGES BEFORE AND AFTER ASSEMBLY AND FREQUENTLY DURING USE. SECURELY TIGHTEN LOOSE BOLTS AND OTHER FASTENERS. **DO NOT** USE CRIB IF ANY PARTS ARE MISSING, DAMAGED OR BROKEN. CONTACT M DESIGN VILLAGE , 701 COTTONTAIL LANE, SOMERSET, NJ 08873; PHONE: 1-844-247-5908; EMAIL: INFO@MDESIGNVILLAGE.COM FOR REPLACEMENT PARTS AND INSTRUCTIONAL LITERATURE IF NEEDED. **DO NOT** SUBSTITUTE PARTS.



WARNING ENTRAPMENT/STRANGULATION HAZARD

- INFANTS HAVE DIED IN TODDLER BEDS FROM ENTRAPMENT AND STRANGULATION.
- FAILURE TO FOLLOW THESE WARNINGS AND THE ASSEMBLY INSTRUCTIONS COULD RESULT IN SERIOUS INJURY OR DEATH.
- **NEVER** USE BED WITH CHILDREN UNDER 15 MONTHS.
- **NEVER** PLACE BED NEAR WINDOWS WHERE CORDS FROM BLINDS OR DRAPES MAY STRANGLE A CHILD.



WARNING

INFANTS HAVE DIED IN TODDLER BEDS FROM ENTRAPMENT.

- OPENINGS IN AND BETWEEN BED PARTS CAN ENTRAP HEAD AND NECK OF A SMALL CHILD.
- **NEVER** USE BED WITH CHILDREN YOUNGER THAN 15 MONTHS.
- **ONLY** USE FULL-SIZE CRIB MATTRESS OF THE RECOMMENDED SIZE.
- **ALWAYS** FOLLOW ASSEMBLY INSTRUCTIONS.



WARNING

STRANGULATION HAZARD

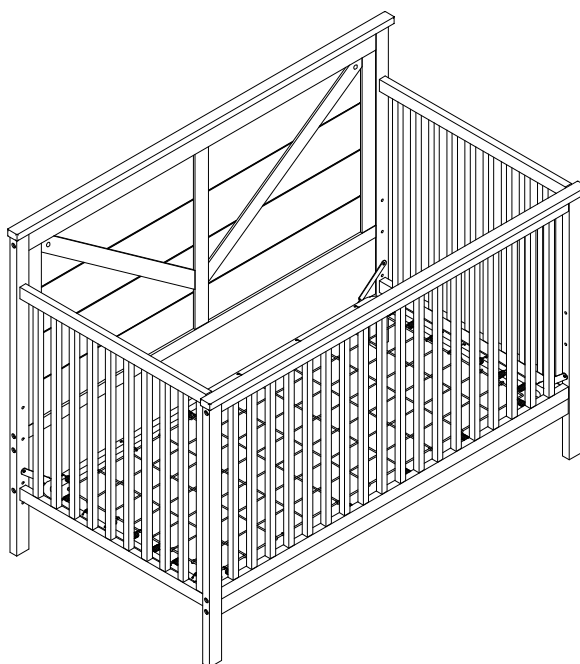
- **NEVER** PLACE BED NEAR WINDOWS WHERE CORDS FROM BLINDS OR DRAPES MAY STRANGLE A CHILD.
- **NEVER** SUSPEND STRINGS OVER BED.
- **NEVER** PLACE ITEMS WITH A STRING, CORD, OR RIBBON, SUCH AS HOOD STRINGS OR PACIFIER CORDS, AROUND A CHILD'S NECK. THESE ITEMS MAY CATCH ON BED PARTS

INSTRUCTIONS DE MONTAGE

pour lit d'enfant convertible

LIT D'ENFANT MONTAUK CONVERTIBLE 4 EN 1

Modèle n° #12211



GARDE-CORPS et KIT DE CONVERSION DE LIT COMPLET vendus séparément.
Veuillez contacter le détaillant.

**CE PRODUIT EST CONFORME À L'ARTICLE APPLICABLE DE LA LOI PUBLIQUE 140-314 ET CONFORME AUX
EXIGENCES DÉCRITES DANS LES 16 CFR1219 ET 16 CFR1217
(QUAND LE GARDE-CORPS MONTAUK EST UTILISÉ).**

Merci pour votre achat !

Retirez toutes les pièces et le matériel de la boîte et posez-les sur une surface de travail recouverte de moquette

Ne jetez aucun contenu avant la fin du montage.

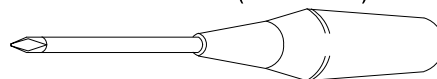
Familiarisez-vous avec toutes les pièces et les schémas pour faciliter le montage de votre lit d'enfant.

OUTILS NÉCESSAIRES:

CLÉ ALLEN (Inclus)

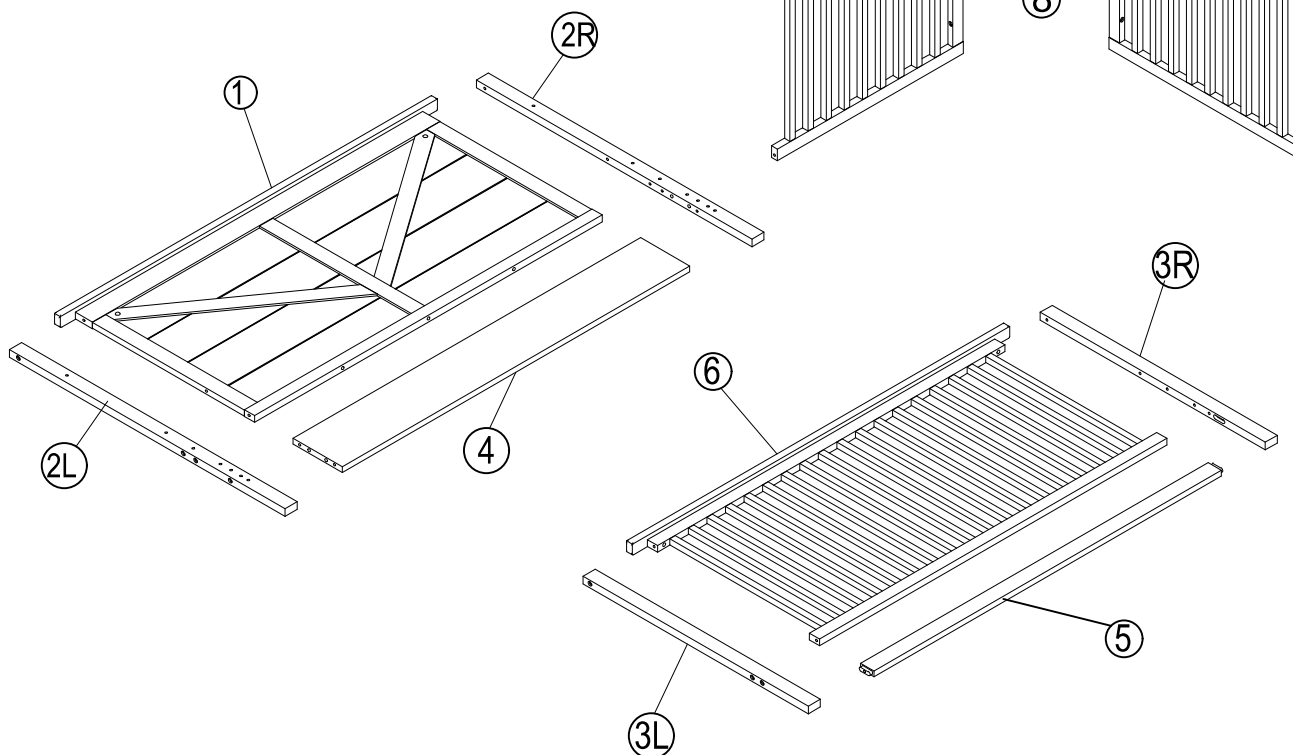
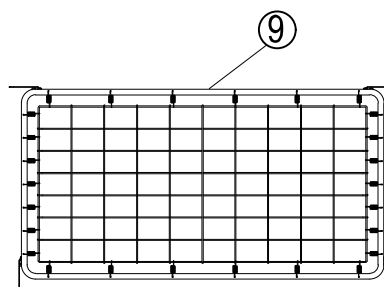


TOURNEVIS (non inclus)



PIÈCES INCLUSES DANS LE CARTON

- | | |
|-------------------------------------|----------------|
| 1. Cadre de tête de lit | (1 pièce) |
| 2. Supports de tête de lit | (2 pièces L&R) |
| 3. Supports du pied de lit | (2 pièces L&R) |
| 4. Panneau inférieur de tête de lit | (1 pièce) |
| 5. Barre stabilisatrice | (1 pièce) |
| 6. Cadre du pied de lit | (1 pièce) |
| 7. Panneau latéral gauche | (1 pièce) |
| 8. Panneau latéral droit | (1 pièce) |
| 9. Sommier | (1 pièce) |

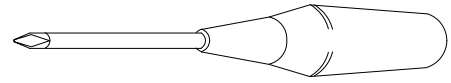


OUTILS NÉCESSAIRES:

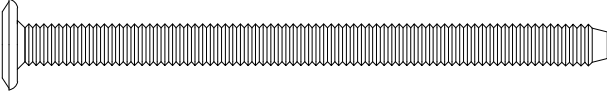
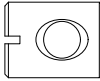

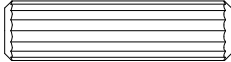
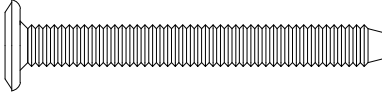
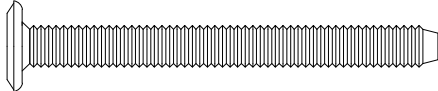
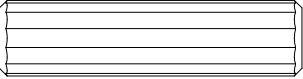
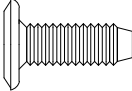

CLÉ ALLEN (Inclus)



TOURNEVIS (non inclus)



ÉLÉMENTS

<p>(A) Boulons Allen 3-1/8"(78 mm) (12 pièces)</p> 	<p>(B) Écrou de canon (16 pièces)</p> 
<p>(C) Rondelle à ressort (22 pièces)</p> 	<p>(D) Goujon en bois Ø8x30mm (2 pièces)</p> 
<p>(E) Boulons Allen 1-7/8"(48 mm) (4 pièces)</p> 	<p>(F) Boulons Allen 2-3/16" (55 mm) (6 pièces)</p> 
<p>(G) Goujon en bois Ø10x40mm (7 pièces)</p> 	<p>(K) Boulons Allen 9/16" (15 mm) (4 pièces)</p> 
	<p>(H) Clé Allen (1 pièce) (la longueur peut varier)</p> 

Ne serrez pas complètement tous les boulons avant que toutes les pièces ne soient en place.
(veuillez ajouter un 1/2 tour supplémentaire aux boulons lors de l'utilisation de rondelle à ressort après le serrage)

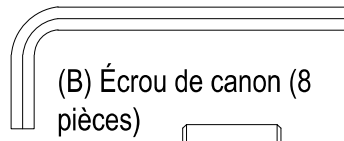
ÉTAPE 1 « ASSEMBLAGE DU TÊTE DE LIT »

CETTE ÉTAPE EXIGE:

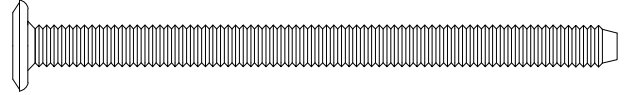
- 1. Cadre de tête de lit (1 pièce)
- 2. Supports de tête de lit (2 pièces L&R)
- 4. Panneau inférieur de tête de lit (1 pièce)

(H) Clé Allen (1 pièce)

(A) Boulons Allen 3-1/8"(78 mm) (8 pièces)

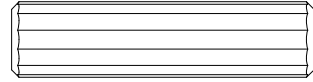
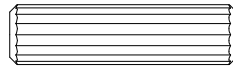


(B) Écrou de canon (8 pièces)

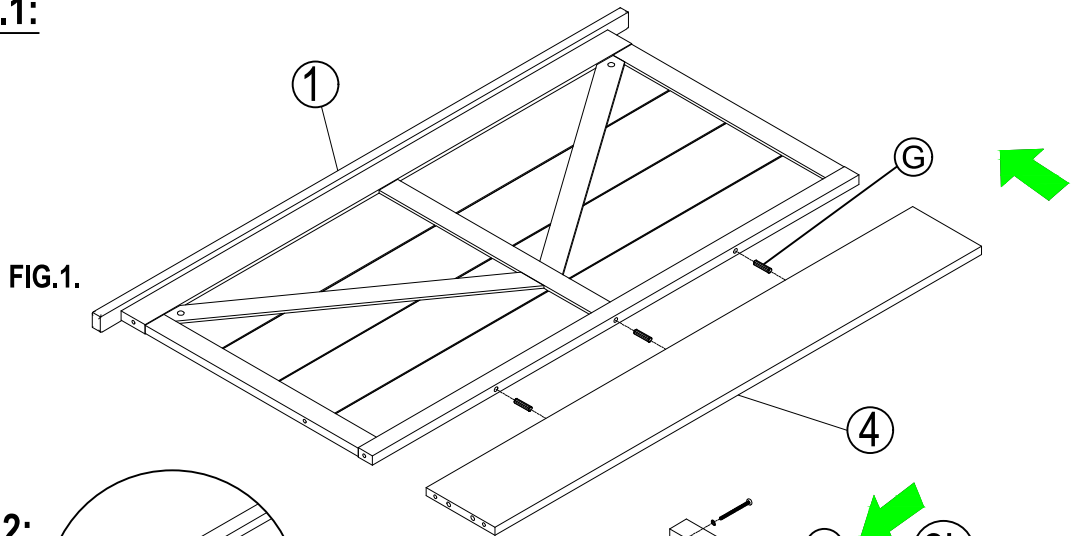


(G) Goujon en bois Ø10x40mm (7 pièces)

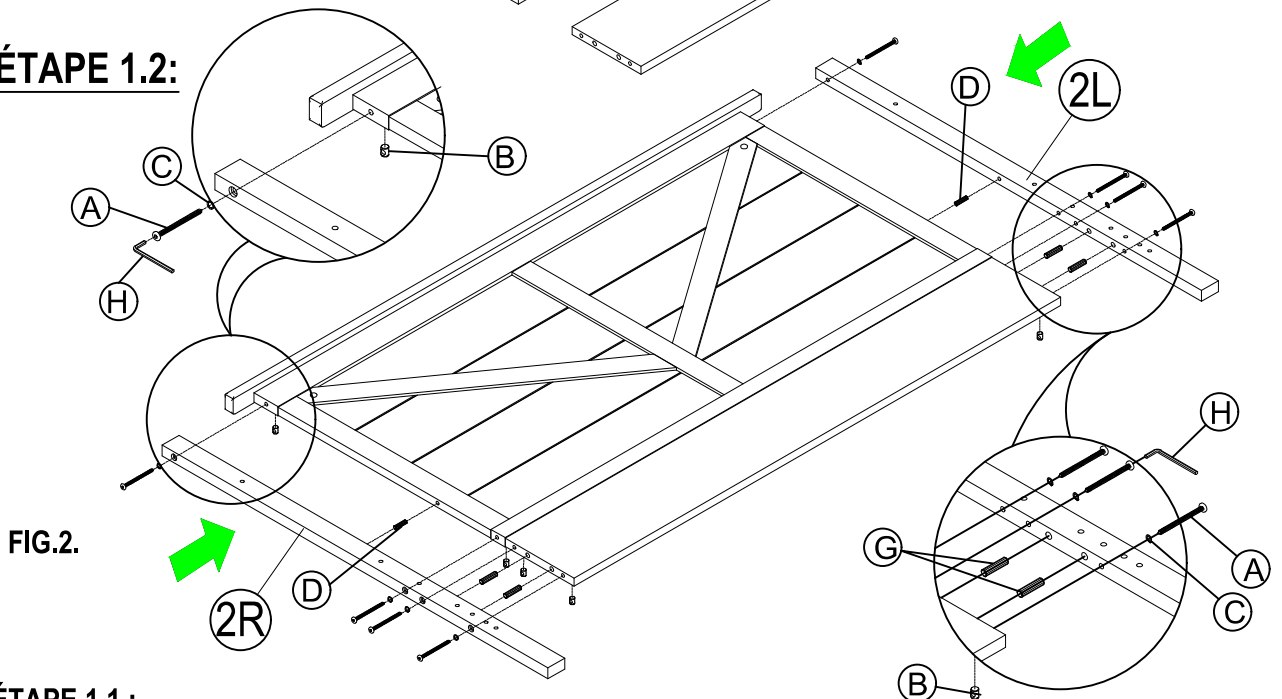
(C) Rondelle à ressort (8 pièces) (D) Goujon en bois Ø8x30mm (2 pièces)



ÉTAPE 1.1:



ÉTAPE 1.2:



ÉTAPE 1.1 :

- Fixez le panneau inférieur de tête de lit (4) au cadre de la tête de lit (1) à l'aide de la goujon en bois (G) comme illustré à la FIG.1.

ÉTAPE 1.2 :

- Insérez la goujon en bois (D) et (G) dans le cadre de la tête de lit (1) comme illustré à la FIG.2. Assemblez les supports de tête de lit (L&R) (2) dans les trous situés sur le cadre de la tête de lit (1) et panneau inférieur de tête de lit à l'aide de vis à six pans (A), de rondelles à ressort (C) et d'écrous de canon (B). Serrer toutes les vis à l'aide de la clé Allen (H).

ÉTAPE 2 « ASSEMBLAGE DE LA TÊTE DE LIT AU PANNEAUX LATÉRAUX »

CETTE ÉTAPE EXIGE:

3. Supports du pied de lit (2 pièces L&R)

7. Panneau latéral gauche (1 pièce)

8. Panneau latéral droit (1 pièce)

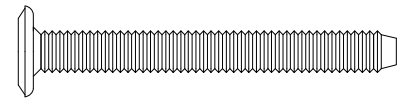
(C) Rondelle à ressort (8 pièces)



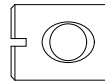
(H) Clé Allen (1 pièce)



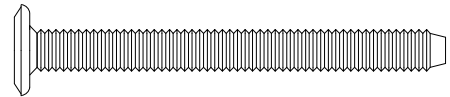
(E) Boulon Allen 1-7/8" (48 mm) (4 pièces)



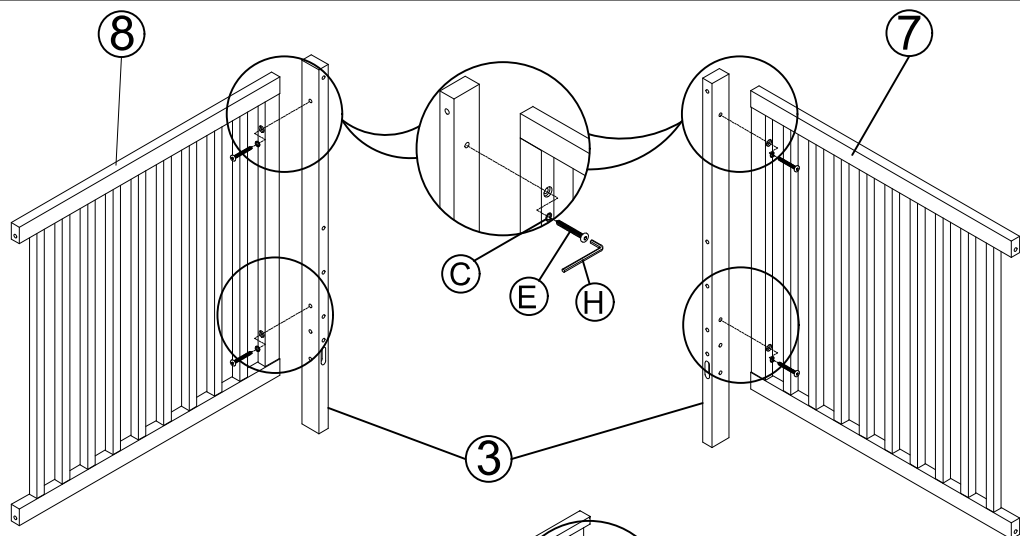
(B) Écrou de canon (4 pièces)



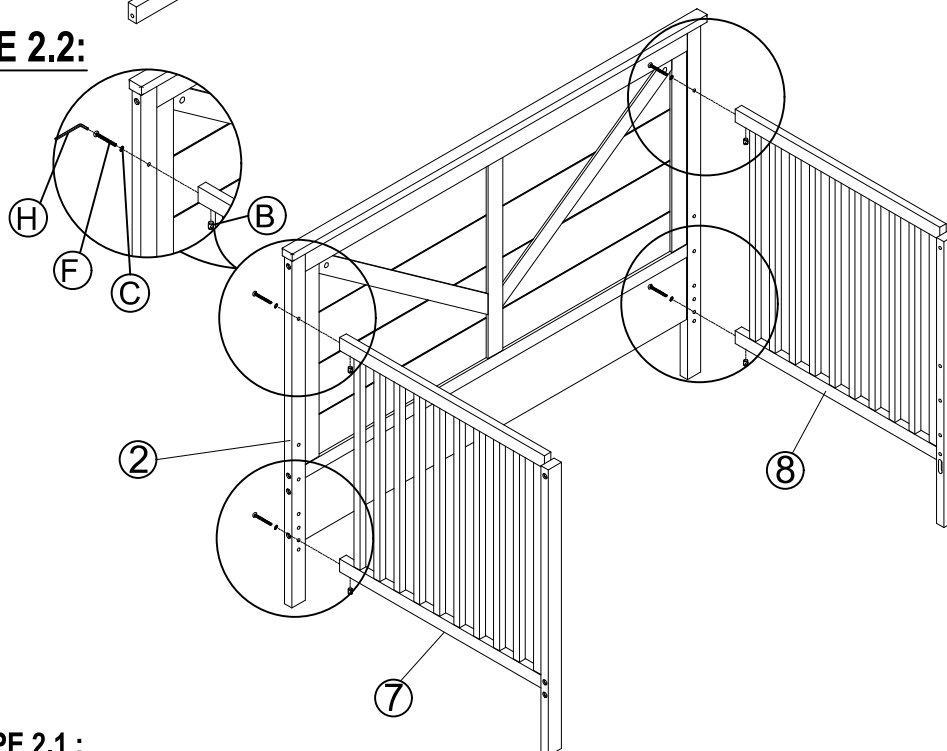
(F) Boulon Allen 2-3/16" (55 mm) (4 pièces)



ÉTAPE 2.1:



ÉTAPE 2.2:



ÉTAPE 2.1 :

- Assembler les panneaux latéraux gauche (7) et droit (8) avec les supports de pied de lit (L&R) (3) à l'aide de vis à six pans (E) et de rondelles à ressort (C). Serrer toutes les vis à l'aide de la clé Allen (H).

ÉTAPE 2.2 :

- Assembler les panneaux latéraux (L&R) (7) (8) dans les trous des supports de la tête de lit (L&R) (2) à l'aide des vis à six pans (F), rondelles à ressort (C) et écrous de canon (B). Serrer toutes les vis à l'aide de la clé Allen (H).

ÉTAPE 3 « INSTALLATION DU SOMMIER »

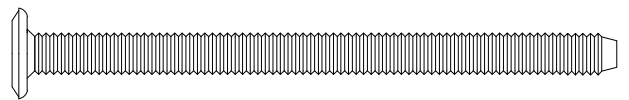
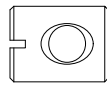
CETTE ÉTAPE EXIGE:

5. Barre stabilisatrice (1 pièce)

9. Sommier (1 pièce)

(B) Écrou de canon (2 pièces)

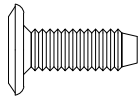
(A) Boulon Allen 3-1/8" (78 mm) (2 pièces)



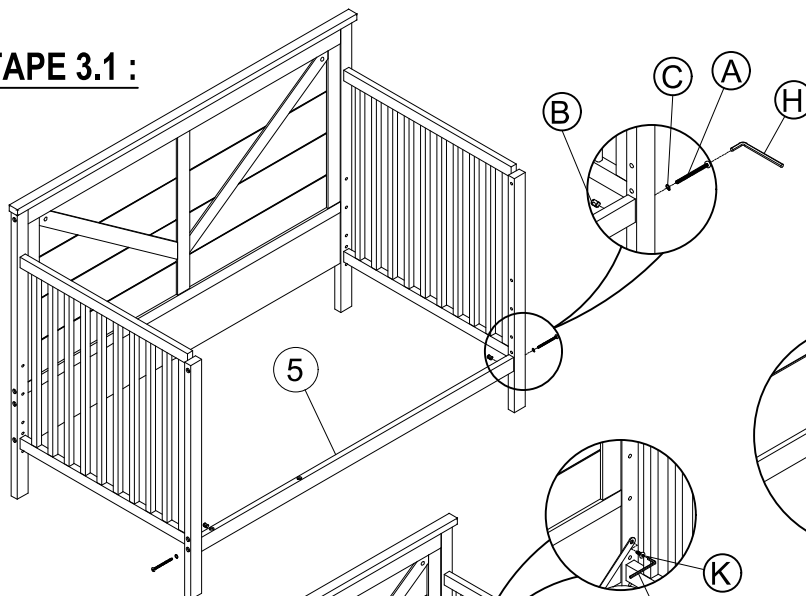
(K) Boulon Allen 9/16" (15 mm) (4 pièces)

(C) Rondelle à ressort (2 pièces)

(H) Clé Allen (1 pièce)

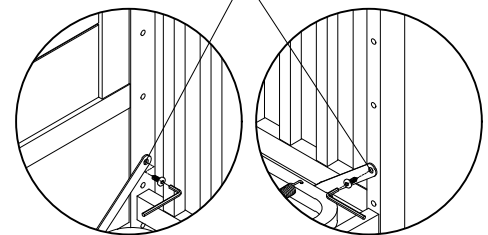


ÉTAPE 3.1 :

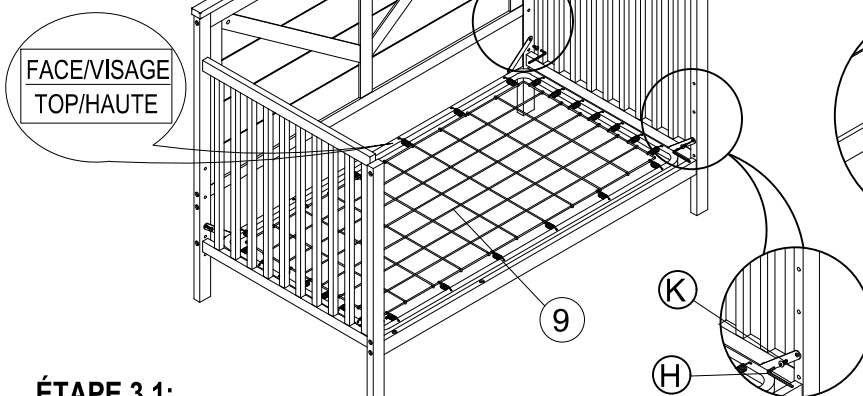


Position la plus basse

FIG.3.

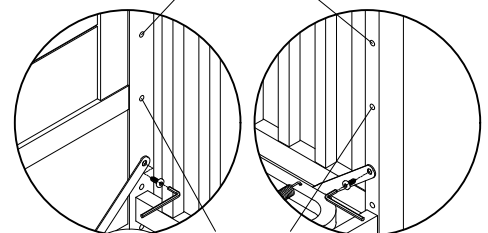


ÉTAPE 3.2 :



Position la plus élevée

FIG.4.



Position du moyen

ÉTAPE 3.1:

- Assembler les supports du pied de lit (L&R) (3) avec la barre stabilisatrice (5) à l'aide des vis à six pans (A), rondelles à ressort (C) et écrous de canon (B). Serrer toutes les vis à l'aide de la clé Allen (H).

ÉTAPE 3.2:

- Fixer le sommier (9) au panneau latéral, comme indiqué à la FIG. 3
- Serrer avec une clé Allen (H).
- Voir FIG. 4. pour le réglage de la hauteur.
- S'assurer que le sommier (9) est à niveau après l'assemblage.

ÉTAPE 4 « ASSEMBLAGE DU PIED DE LIT »

CETTE ÉTAPE EXIGE:

6. Cadre du pied de lit (1 pièce)

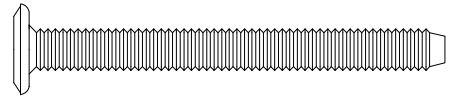
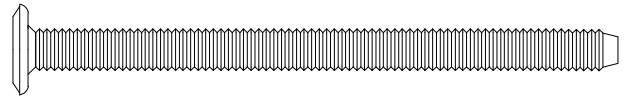
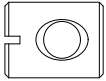
(H) Clé Allen (1 pièce)

(A) Boulons Allen 3-1/8" (78 mm) (2 pièces)

(B) Écrou de canon (2 pièces)

(C) Rondelle à ressort (4 pièces)

(F) Boulons Allen 2-3/16" (55 mm) (2 pièces)



ÉTAPE 4 :

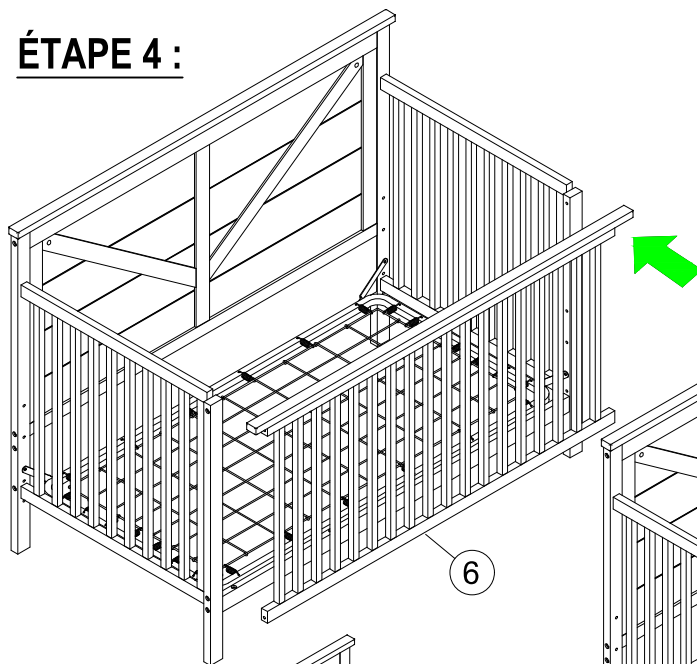


FIG.5.

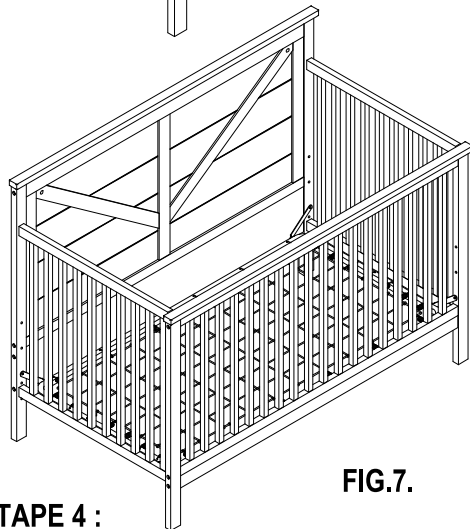



FIG.6.

FIG.7.

ÉTAPE 4 :

- Assembler la traverse supérieure du cadre du pied de lit (6) aux supports de pied de lit (L&R) (3) à l'aide des vis à six pans (A), rondelles à ressort (C) et écrous de canon (B), comme indiqué à la FIG. 5. Serrer toutes les vis à l'aide de la clé Allen (H).
- Assembler la traverse inférieure du cadre du pied de lit (6) aux support de pied de lit (L&R) (3) à l'aide des vis à six pans (F) et rondelles à ressort (C), comme illustré à la FIG. 6. Serrer toutes les vis à l'aide de la clé Allen (H). Assemblage complet comme indiqué sur la FIG.7.

 **"MISE EN GARDE: TOUT MATELAS UTILISÉ AVEC CE LIT DE BÉBÉ DOIT MESURER AU MOINS 27 – 1/4 POUCES (69 CM) PAR 51 – 5/8 POUCES (131 CM) AVEC UNE ÉPAISSEUR QUI NE DÉPASSE PAS 6 POUCES (15 CM). LES DIMENSIONS DU MATELAS DOIVENT ÊTRE PRISES D'UNE COUTURE À L'AUTRE OU DE CONTOUR À L'AUTRE LORSQUE NÉCESSAIRE."**

 **MISE EN GARDE !**

• LISEZ TOUTES LES INSTRUCTIONS AVANT D'ASSEMBLER LE LIT DE BÉBÉ. **CONSERVEZ CES INSTRUCTIONS EN CAS DE BESOIN.**

• LE NON-RESPECT DE CES AVERTISSEMENTS ET DE CES INSTRUCTIONS D'ASSEMBLAGE PEUT ENTRAÎNER DES BLESSURES GRAVES OU LA MORT.

• LES NOURRISSONS PEUVENT SUFFOQUER SUR UN MATELAS MOU. NE JAMAIS AJOUTER UN OREILLER OU UNE COUETTE. NE JAMAIS PLACER UN REMBOURRAGE SUPPLÉMENTAIRE EN-DESSOUS D'UN NOURRISSON.

• AFIN DE RÉDUIRE LES RISQUES DE **SYNDROME DE MORT SUBITE** DU NOURRISSON, LES PÉDIATRES RECOMMANDENT DE PLACER LES NOURRISSONS EN SANTÉ SUR LEUR DOS POUR DORMIR, À MOINS D'AVIS CONTRAIRE D'UN MÉDECIN.

RISQUE D'ÉTRANGLEMENT:

• LES CORDONS PEUVENT CAUSER UNE STRANGULATION! **NE METTEZ PAS** D'OBJETS AVEC UNE CORDE AUTOUR DU COU DE VOTRE ENFANT TEL QUE LA CORDE D'UN CAPUCHON OU D'UNE SUCE. **NE SUSPENDEZ PAS** DE CORDES AU-DESSUS DU LIT DE BÉBÉ ET N'ATTACHEZ PAS DE CORDES AUX JOUETS.

• AFIN DE PRÉVENIR LES STRANGULATIONS, RESSERREZ BIEN TOUTES LES ATTACHES. UNE PARTIE DU CORP OU LE VÊTEMENT D'UN ENFANT PEUT S'EMMÊLER DANS DES ATTACHES MAL AJUSTÉES.

• **NE POSITIONNEZ PAS** LE LIT DE BÉBÉ PRÈS D'UNE FENÊTRE OÙ LES CORDES DES STORES OU DES RIDEAUX PEUVENT ÉTRANGLER L'ENFANT.

RISQUE DE CHUTE :

• LORSQUE L'ENFANT EST CAPABLE DE SE METTRE EN POSITION DEBOUT, RÉGLEZ LE MATELAS À LA POSITION LA PLUS BASSE ET ENLEVEZ LE CONTOUR DE LIT, LES GROS JOUETS ET TOUT AUTRES OBJETS QUI POURRAIENT SERVIR DE MARCHES POUR GRIMPER HORS DU LIT.

• LORSQUE L'ENFANT EST CAPABLE DE GRIMPER EN DEHORS DU LIT OU QU'IL ATTEINT UNE TAILLE DE 35 POUCES (89 CENTIMÈTRES), LE LIT DE BÉBÉ NE DOIT PLUS ÊTRE UTILISÉ. L'ENFANT DEVRAIT ÊTRE COUCHÉ DANS UN LIT D'ENFANT OU UN LIT NORMAL.

• AVANT CHAQUE UTILISATION OU AVANT D'ASSEMBLER, FAITES UNE INSPECTION DU LIT DE BÉBÉ AFIN DE DÉTECTER DES BRIS DE MATÉRIAUX, DES VIS DÉVISSÉES, DES PIÈCES MANQUANTES OU BRISÉES ET DES CONTOURS TRANCHANTS. **NE VOUS SERVEZ PAS** DE CE LIT DE BÉBÉ SI DES PIÈCES SONT MANQUANTES OU BRISÉES. DEMANDEZ À VOTRE MARCHANT OU ÉCRIVEZ À M DESIGN VILLAGE, 701 COTTONTAIL LANE, SOMERSET, NEW JERSEY 08873. TÉLÉPHONE: 1-844 - 247 - 5908, COURRIEL : INFO@MDESIGNVILLAGE.COM POUR OBTENIR DES PIÈCES DE REMPLACEMENT ET DES MANUELS D'INSTRUCTIONS SI VOUS EN AVEZ BESOIN. **NE FAITES PAS** DE REMPLACEMENT DE PIÈCES.

• **N'UTILISEZ PAS** UN MATELAS D'EAU AVEC CE LIT DE BÉBÉ.

MISE EN GARDE !

- SI VOUS SOUHAITEZ VERNIR LE LIT, SERVEZ-VOUS D'UN VERNI NON-TOXIQUE CONÇU POUR LES PRODUITS POUR ENFANTS.
- DANS UN LIT DE BÉBÉ RESPECTER LES AVERTISSEMENTS FOURNIS SUR TOUS LES PRODUITS. UNE FOIS L'ASSEMBLAGE TERMINÉ, ASSUREZ-VOUS QUE TOUTES LES VIS, LES BOULONS ET LES MÉCANISMES D'ATTACHE, SOIENT CORRECTEMENT VISSÉS. UNE INSPECTION RÉGULIÈRE DEVRAIT ÊTRE FAITE.
- LORSQUE VOUS RANGEZ LE LIT DE BÉBÉ, FAITES ATTENTION PUISQUE DES CHANGEMENTS EXTRÊMES DE TEMPÉRATURE OU DE TAUX D'HUMIDITÉ, PEUVENT COMPROMETTRE LE LIT DE BÉBÉ ET LE RENDRE EXTRÊMEMENT DANGEREUX POUR VOTRE ENFANT. RANGEZ LE LIT DE BÉBÉ DANS UNE ENDROIT PROPRE ET SEC.
- SOYEZ PRUDENT LORSQUE VOUS UTILISEZ UN VAPORISATEUR OU UN HUMIDIFICATEUR. DIRIGEZ TOUJOURS LA VAPEUR DANS UNE AUTRE DIRECTION QUE CELLE DU LIT DE BÉBÉ OU TOUT AUTRE MEUBLE EN BOIS. DES PÉRIODES PROLONGÉES D'EXPOSITION À L'HUMIDITÉ LORSQUE RANGÉ OU UTILISÉ À LA MAISON, PEUVENT COMPROMETTRE LE LIT DE BÉBÉ.
- ÉVITEZ D'UTILISER DES VAPORISATEURS OU DES HUMIDIFICATEURS PENDANT DE LONGUES PÉRIODES DE TEMPS.
- VEUILLEZ JETEZ À LA POUBELLE TOUS LES EMBALLAGES ET LES SACS DE PLASTIQUE.
- VEUILLEZ NETTOYER LE LIT DE BÉBÉ AVEC UN LINGE SEC ET UTILISEZ UN PRODUIT À POLIR DOUX SI NÉCESSAIRE.
- N'UTILISEZ JAMAIS DES SACS EN PLASTIQUE OU TOUT AUTRE PELLICULE PLASTIQUE POUR RECOUVRIR LE MATELAS, ILS PEUVENT CAUSER L'APNÉE.
- LES NOURRISSONS PEUVENT SUFFOQUER DANS LES ESPACES LAISSÉS ENTRE LES CÔTÉS DU LIT ET UN MATELAS TROP PETIT.

CANADA MISE EN GARDE

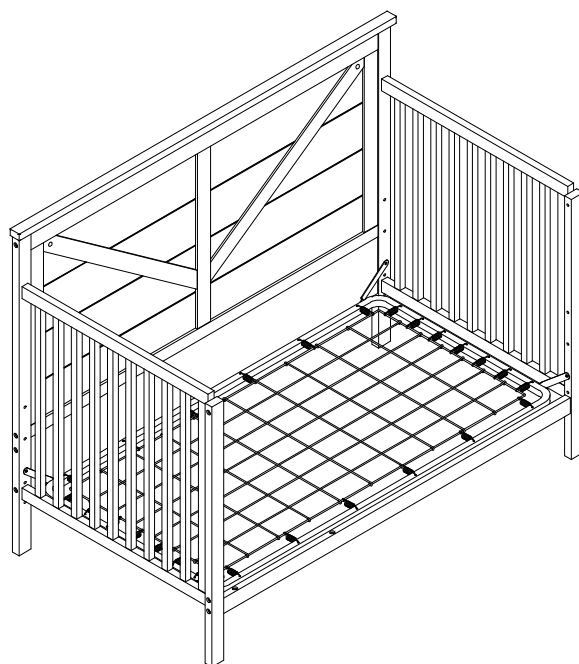
- NE PAS UTILISER CE LIT D'ENFANT À MOINS D'ÊTRE EN MESURE DE SUIVRE PRÉCISÉMENT LES INSTRUCTIONS QUI L'ACCOMPAGNENT.
- NE PAS UTILISER CE LIT D'ENFANT SI L'ENFANT EST CAPABLE D'EN SORTIR OU MESURE PLUS DE 89 CM.
- NE PAS METTRES DANS LE LIT OU À PROXIMITÉ DE CELUI-CI DES CORDES, SANGLES OU OBJECTS SEMBLABLES QUI RISQUERAIENT DE S'ENROULER AUTOUR DU COU DE L'ENFANT.
- NE PAS PLACER CE LIT D'ENFANT PRÈS D'UNE FENÊTRE OU D'UNE PORTE- FENÊTRE OÙ L'ENFANT POURRAIT SAISIR LES CORDES D'UN STORE OU D'UN RIDEAU ET S'ÉTRANGLER.
- VÉRIFIER RÉGULIÈREMENT CE LIT D'ENFANT PRÉALABLEMENT À SON UTILIZATION ET NE PAS L'UTILISER SI UNE PIÈCE EST SERRÉE, UNE PIÈCE EST MANQUANTE OU S'IL Y À UN SIGNE DE DOMMAGES. NE PAS SUBSTITUER UNE PIÈCE À NUE AUTRE. COMMUNIQUER AVEC LE FABRICANT POUR OBTENIR, AU BESIION, UNE PIÈCE DE RECHANGE OUR DES INSTRUCTION SUPPLÉMENTAIRES.
- LES ARTICALE DE LITERIE MOUS PRÉSENTENT UN RISQUE DE SUFFOCIATION POUR L'ENFANT. NE PAS METTRE D'OREILLER, D'ÉDREDON OU DE MATELAS MOU DANS CE LIT D'ENFANT.
- UTILISER UN MATELAS POUR LIT D'ENFANT DONT L'ÉPAISSEUR EST D'AU PLUS 15 CM ET DONT LA SUPERFICIE PERMET D'EMPÊCHER, LORSQU'IL EST POUSSÉ FERMEMENT CONTRE UN CÔTÉ QUELCONQUE DU LIT, QU'UN ESPACE DE PLUS DE 3 CM SOIT CRÉÉ ENTRE LE MATELAS ET UNE PARTIE QUELCONQUE DE TOUT CÔTÉ

INSTRUCTIONS DE MONTAGE

pour lit d'enfant en bas âge

LIT D'ENFANT MONTAUK CONVERTIBLE 4 EN 1

Modèle n° #12211



GARDE-CORPS et KIT DE CONVERSION DE LIT COMPLET vendus séparément.
Veuillez contacter le détaillant.

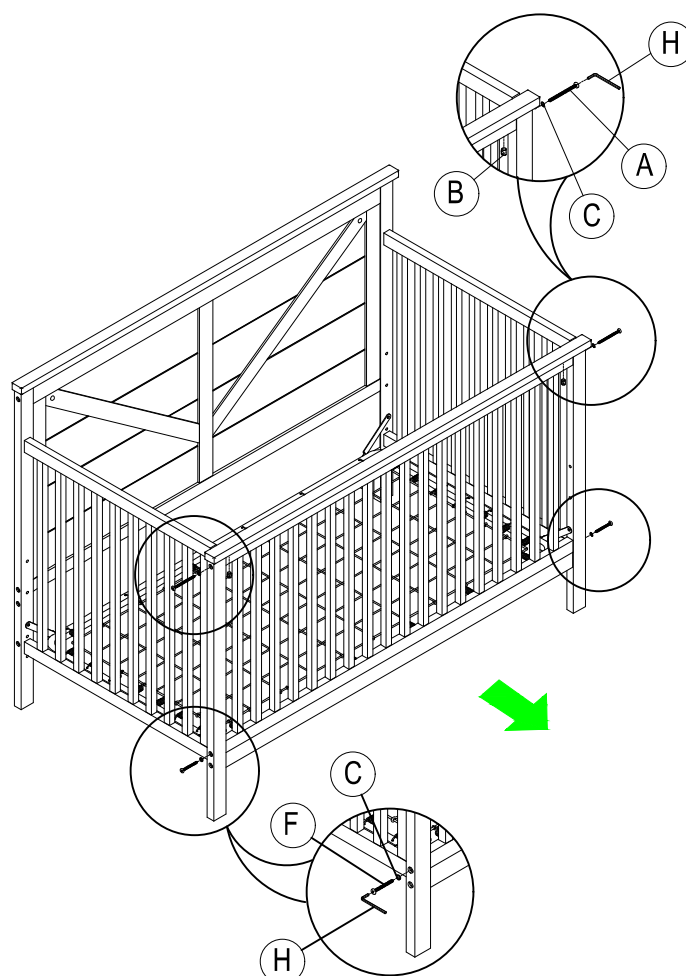
ÉTAPE 1 « DÉSINSTALLER LE CADRE DU PIED DE LIT »

CETTE ÉTAPE EXIGE:

(H) Clé Allen (1 pièce)



FIG.1



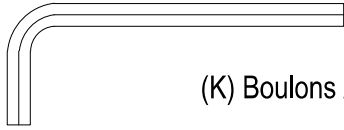
Retirer le cadre du pied de lit (6) des supports de pied de lit (L&R) (3) en dévissant les vis à six pans (A) et (F) (2 pièces) comme indiqué à la FIG. 1.

ÉTAPE 2 « RÉGLAGE DE LA HAUTEUR DU SUPPORT DU MATELAS »

CETTE ÉTAPE EXIGE:

(H) Clé Allen (1 pièce)

Ce matériel est inclus dans le LIT D'ENFANT.



(K) Boulons Allen 9/16"(15 mm) (4 pièces)

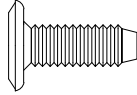


FIG.3.

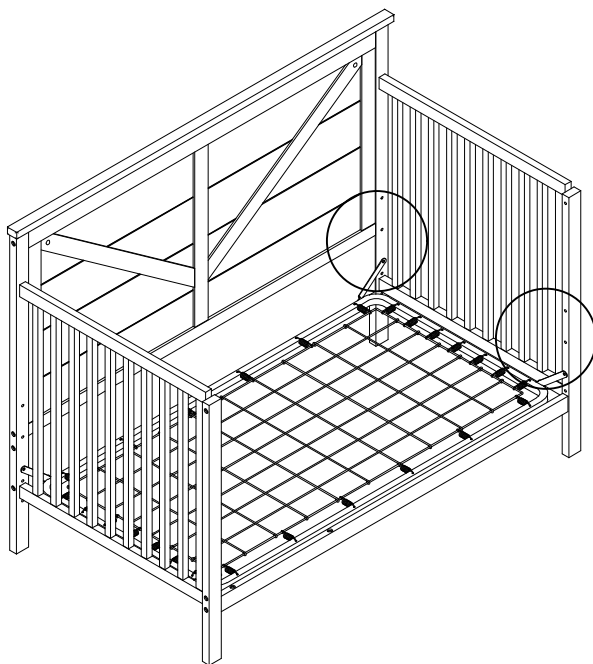
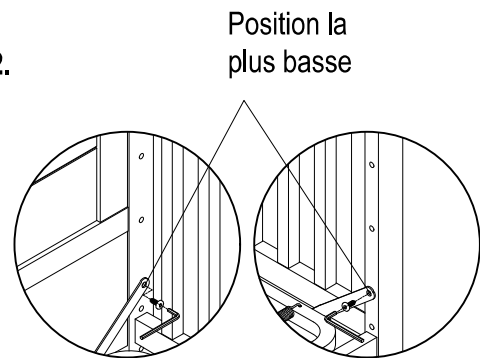



FIG.2.



- Retirer la vis à six pans de 9/16 po (15 mm) (K) du sommier.
- Placer le sommier dans la position la plus basse, comme indiqué à la FIG. 2.
- Fixer la vis à six pans de 15 mm (9/16 po) (K) dans le trou le plus bas du panneau latéral.
- La FIG. 3 indique la position finale.

 **"MISE EN GARDE: TOUT MATELAS UTILISÉ AVEC CE LIT DE BÉBÉ DOIT MESURER AU MOINS 27 – 1/4 POUCES (69 CM) PAR 51 – 5/8 POUCES (131 CM) AVEC UNE ÉPAISSEUR QUI NE DÉPASSE PAS 6 POUCES (15 CM). LES DIMENSIONS DU MATELAS DOIVENT ÊTRE PRISES D'UNE COUTURE À L'AUTRE OU DE CONTOUR À L'AUTRE LORSQUE NÉCESSAIRE."**

 **MISE EN GARDE !**

• LISEZ TOUTES LES INSTRUCTIONS AVANT D'ASSEMBLER LE LIT DE BÉBÉ. **CONSERVEZ CES INSTRUCTIONS EN CAS DE BESOIN.**

- LE NON-RESPECT DE CES AVERTISSEMENTS ET DE CES INSTRUCTIONS D'ASSEMBLAGE PEUT ENTRAÎNER DES BLESSURES GRAVES OU LA MORT.
- LES NOURRISSONS PEUVENT SUFFOQUER SUR UN MATELAS MOU. NE JAMAIS AJOUTER UN OREILLER OU UNE COUETTE. NE JAMAIS PLACER UN REMBOURRAGE SUPPLÉMENTAIRE EN-DESSOUS D'UN NOURRISSON.
- AFIN DE RÉDUIRE LES RISQUES DE **SYNDROME DE MORT SUBITE** DU NOURRISSON, LES PÉDIATRES RECOMMANDENT DE PLACER LES NOURRISSONS EN SANTÉ SUR LEUR DOS POUR DORMIR, À MOINS D'AVIS CONTRAIRE D'UN MÉDECIN.

RISQUE D'ÉTRANGLEMENT:

- LES CORDONS PEUVENT CAUSER UNE STRANGULATION! **NE METTEZ PAS** D'OBJETS AVEC UNE CORDE AUTOUR DU COU DE VOTRE ENFANT TEL QUE LA CORDE D'UN CAPUCHON OU D'UNE SUCE. **NE SUSPENDEZ PAS** DE CORDES AU-DESSUS DU LIT DE BÉBÉ ET N'ATTACHEZ PAS DE CORDES AUX JOUETS.
- AFIN DE PRÉVENIR LES STRANGULATIONS, RESSERREZ BIEN TOUTES LES ATTACHES. UNE PARTIE DU CORP OU LE VÊTEMENT D'UN ENFANT PEUT S'EMMÊLER DANS DES ATTACHES MAL AJUSTÉES.
- **NE POSITIONNEZ PAS** LE LIT DE BÉBÉ PRÈS D'UNE FENÊTRE OÙ LES CORDES DES STORES OU DES RIDEAUX PEUVENT ÉTRANGLER L'ENFANT.

RISQUE DE CHUTE :

- LORSQUE L'ENFANT EST CAPABLE DE SE METTRE EN POSITION DEBOUT, RÉGLEZ LE MATELAS À LA POSITION LA PLUS BASSE ET ENLEVEZ LE CONTOUR DE LIT, LES GROS JOUETS ET TOUT AUTRES OBJETS QUI POURRAIENT SERVIR DE MARCHES POUR GRIMPER HORS DU LIT.
- LORSQUE L'ENFANT EST CAPABLE DE GRIMPER EN DEHORS DU LIT OU QU'IL ATTEINT UNE TAILLE DE 35 POUCES (89 CENTIMÈTRES), LE LIT DE BÉBÉ NE DOIT PLUS ÊTRE UTILISÉ. L'ENFANT DEVRAIT ÊTRE COUCHÉ DANS UN LIT D'ENFANT OU UN LIT NORMAL.
- AVANT CHAQUE UTILISATION OU AVANT D'ASSEMBLER, FAITES UNE INSPECTION DU LIT DE BÉBÉ AFIN DE DÉTECTER DES BRIS DE MATÉRIAUX, DES VIS DÉVISSÉES, DES PIÈCES MANQUANTES OU BRISÉES ET DES CONTOURS TRANCHANTS. **NE VOUS SERVEZ PAS** DE CE LIT DE BÉBÉ SI DES PIÈCES SONT MANQUANTES OU BRISÉES. DEMANDEZ À VOTRE MARCHANT OU ÉCRIVEZ À M DESIGN VILLAGE, 701 COTTONTAIL LANE, SOMERSET, NEW JERSEY 08873. TÉLÉPHONE: 1-844 - 247 - 5908, COURRIEL : INFO@MDESIGNVILLAGE.COM POUR OBTENIR DES PIÈCES DE REMPLACEMENT ET DES MANUELS D'INSTRUCTIONS SI VOUS EN AVEZ BESOIN. **NE FAITES PAS** DE REMPLACEMENT DE PIÈCES.
- **N'UTILISEZ PAS** UN MATELAS D'EAU AVEC CE LIT DE BÉBÉ.



MISE EN GARDE !

- SI VOUS SOUHAITEZ VERNIR LE LIT, SERVEZ-VOUS D'UN VERNI NON-TOXIQUE CONÇU POUR LES PRODUITS POUR ENFANTS.
- DANS UN LIT DE BÉBÉ RESPECTER LES AVERTISSEMENTS FOURNIS SUR TOUS LES PRODUITS. UNE FOIS L'ASSEMBLAGE TERMINÉ, ASSUREZ-VOUS QUE TOUTES LES VIS, LES BOULONS ET LES MÉCANISMES D'ATTACHE, SOIENT CORRECTEMENT VISSÉS. UNE INSPECTION RÉGULIÈRE DEVRAIT ÊTRE FAITE.
- LORSQUE VOUS RANGEZ LE LIT DE BÉBÉ, FAITES ATTENTION PUISQUE DES CHANGEMENTS EXTRÊMES DE TEMPÉRATURE OU DE TAUX D'HUMIDITÉ, PEUVENT COMPROMETTRE LE LIT DE BÉBÉ ET LE RENDRE EXTRÊMEMENT DANGEUREUX POUR VOTRE ENFANT. RANGEZ LE LIT DE BÉBÉ DANS UNE ENDROIT PROPRE ET SEC.
- SOYEZ PRUDENT LORSQUE VOUS UTILISEZ UN VAPORISATEUR OU UN HUMIDIFICATEUR. DIRIGEZ TOUJOURS LA VAPEUR DANS UNE AUTRE DIRECTION QUE CELLE DU LIT DE BÉBÉ OU TOUT AUTRE MEUBLE EN BOIS. DES PÉRIODES PROLONGÉES D'EXPOSITION À L'HUMIDITÉ LORSQUE RANGÉ OU UTILISÉ À LA MAISON, PEUVENT COMPROMETTRE LE LIT DE BÉBÉ.
- ÉVITEZ D'UTILISER DES VAPORISATEURS OU DES HUMIDIFICATEURS PENDANT DE LONGUES PÉRIODES DE TEMPS.
- VEUILLEZ JETEZ À LA POUBELLE TOUS LES EMBALLAGES ET LES SACS DE PLASTIQUE.
- VEUILLEZ NETTOYER LE LIT DE BÉBÉ AVEC UN LINGE SEC ET UTILISEZ UN PRODUIT À POLIR DOUX SI NÉCESSAIRE.
- N'UTILISEZ JAMAIS DES SACS EN PLASTIQUE OU TOUT AUTRE PELLICULE PLASTIQUE POUR RECOUVRIR LE MATELAS, ILS PEUVENT CAUSER L'APHYSIE.
- LES NOURRISSONS PEUVENT SUFFOQUER DANS LES ESPACES LAISSÉS ENTRE LES CÔTÉS DU LIT ET UN MATELAS TROP PETIT.

MISE EN GARDE

NE PAS UTILISER LE LIT D'ENFANT À MOINS D'ÊTRE EN MESURE DE RESPECTER RIGOREUSEMENT LE MODE D'EMPLOI CI-JOINT OU APPOSÉ SUR LE PRODUIT. NE PAS UTILISER LE LIT D'ENFANT SI L'ENFANT EST CAPABLE D'EN SORTIR SANS AIDE OU SI L'ENFANT MESURE PLUS DE 90 CM. NE PAS METTRE DANS LE LIT, OU À PROXIMITÉ DU LIT, DES CORDES, COURROIES OU OBJETS SEMBLABLES QUI POURRAIENT S'ENROULER AUTOUR DU COU DE L'ENFANT. S'ASSURER QUE LES CÔTÉS SONT BIEN ENCLENCHÉS OU VERROUILLÉS LORSQUE L'ENFANT EST PLACÉ DANS LE LIT. L'ÉPAISSEUR DU MATELAS UTILISÉ DANS LE LIT NE DOIT PAS ÊTRE SUPÉRIEURE À 15 CM, ET SA LONGUEUR ET SA LARGEUR DOIVENT ÊTRE TELLES QUE L'ESPACE ENTRE LE MATELAS ET LES CÔTÉS DU LIT NE SOIT PAS SUPÉRIEUR À 3 CM LORSQUE LE MATELAS ES POUSSÉ DANS UN DES COINS.

EN TANT QUE PARENTS, IL EST DE VOTRE RESPONSABILITÉ DE VOUS ASSURER QUE VOTRE ENFANT EST DANS UN ENVIRONNEMENT SÛR. VÉRIFIEZ RÉGULIÈREMENT AVANT DE PLACER L'ENFANT DANS LE LIT QUE TOUS LES CÔTÉS, LES SOMMIERS ET LES BOULONS SONT EN PLACE ET CORRECTEMENT ATTACHÉS.