

ASSEMBLY INSTRUCTIONS
for convertible crib
NORTH BAY 4 IN 1 CONVERTIBLE CRIB
Model #18811



GUARDRAIL and CONVERSION KIT sold separately.
Please contact retailer

**THIS PRODUCT CONFORMS TO THE APPLICABLE SECTION OF PUBLIC LAW 110-314
AND COMPLIES WITH THE REQUIREMENTS STATED IN 16 CFR 1219 AND 16 CFR 1217
(WHEN NORTH BAY GUARDRAIL IS USED).**

Thank you for your purchase!

Remove all parts and hardware from the box and lay on a carpeted or scratch -free work surface.

Do not dispose of any contents until assembly is completed.

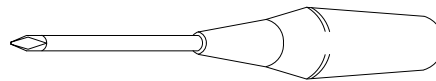
Familiarize yourself with all exhibits and diagrams to facilitate the assembly of your crib.

TOOLS REQUIRED:

ALLEN KEY (included)

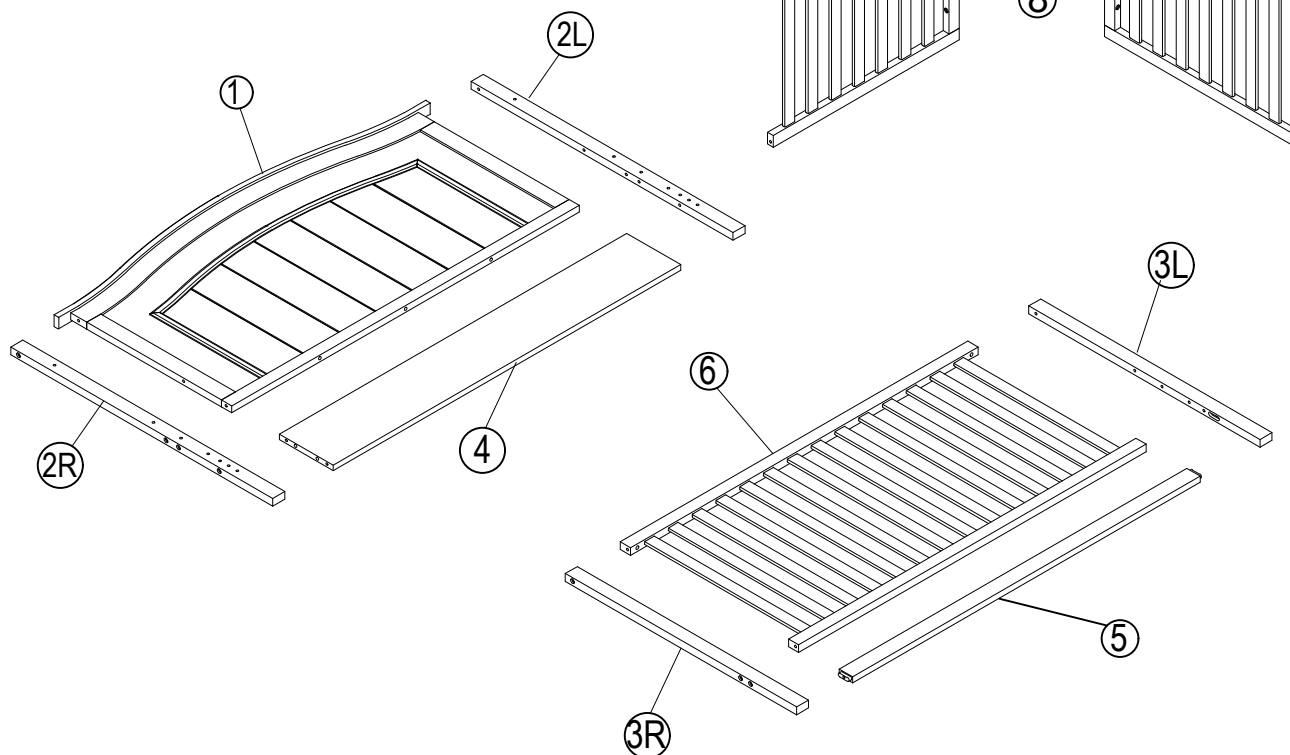
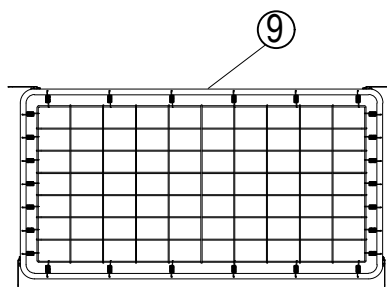


Screwdriver (not included)



PARTS ENCLOSED IN CARTON

- | | |
|---------------------------|-------------|
| 1. Headboard frame | (1 pc) |
| 2. Headboard Posts | (2 pcs L&R) |
| 3. Footboard Posts | (2 pcs L&R) |
| 4. Headboard bottom panel | (1 pc) |
| 5. Stabilizer bar | (1 pc) |
| 6. Footboard frame | (1 pc) |
| 7. Left sideboard | (1 pc) |
| 8. Right sideboard | (1 pc) |
| 9. Mattress Spring | (1 pc) |

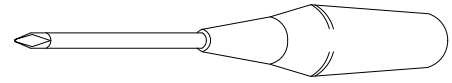


TOOLS REQUIRED:

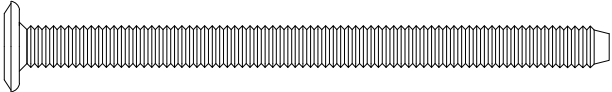
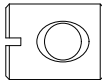

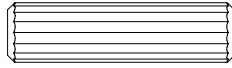
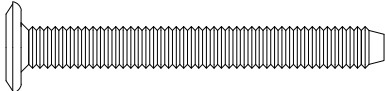
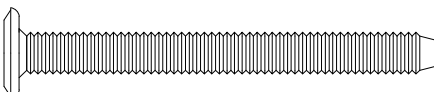
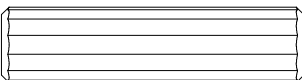
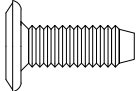

ALLEN KEY (included)



Screwdriver (not included)



HARDWARE

<p>(A) Allenbolt 3-1/8"(78 mm) (12 pcs)</p> 	<p>(B) Barrel Nut (16 pcs)</p> 
<p>(C) Spring washer (22 pcs)</p> 	<p>(D) Wood dowel Ø8x30mm (2 pcs)</p> 
<p>(E) Allenbolt 1-7/8"(48 mm) (4 pcs)</p> 	<p>(F) Allenbolt 2-3/16" (55 mm) (6 pcs)</p> 
<p>(G) Wood dowel Ø10x40mm (7 pcs)</p> 	<p>(K) AllenBolt 9/16"(15 mm) (4 pcs)</p> 
	<p>(H) Allen key (1 pc) (length may vary)</p> 

Do not fully tighten all bolts until all parts are in place.
 (please add an extra 1/2 revolution to the bolts when using spring washer after tightening)

STEP 1 "ASSEMBLY OF HEADBOARD"

THIS STEP REQUIRES :

1. Headboard frame (1 pc)
2. Headboard posts (2 pcs L&R)
4. Headboard bottom panel (1 pc)

(H) Allen key (1 pc)

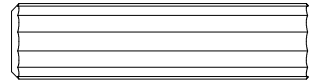
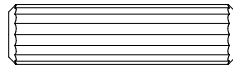
(A) Allen Bolt 3-1/8" (78 mm) (8 pcs)

(B) Barrel Nut (8 pcs)

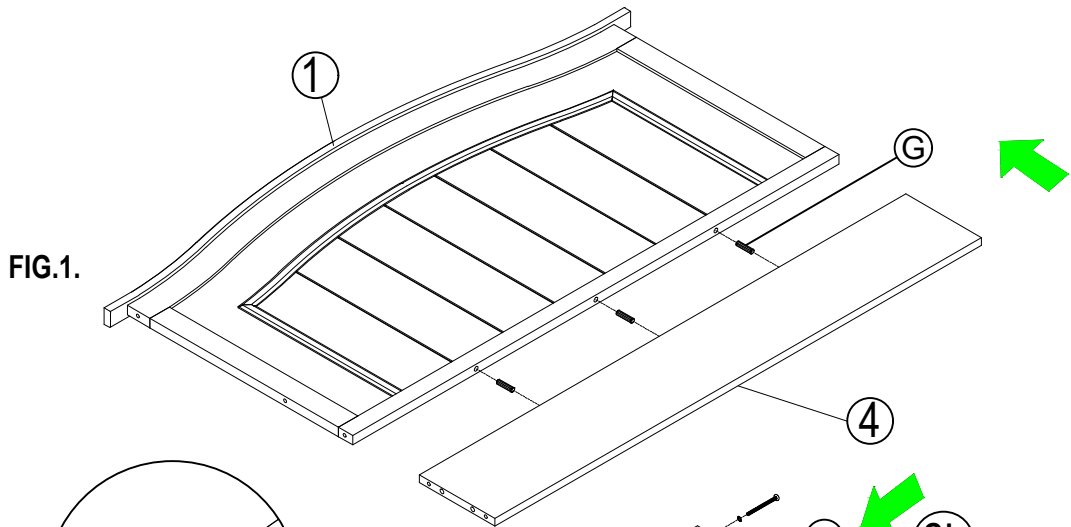
(C) Spring washer (8 pcs)

(D) Wood dowel Ø8x30mm (2 pcs)

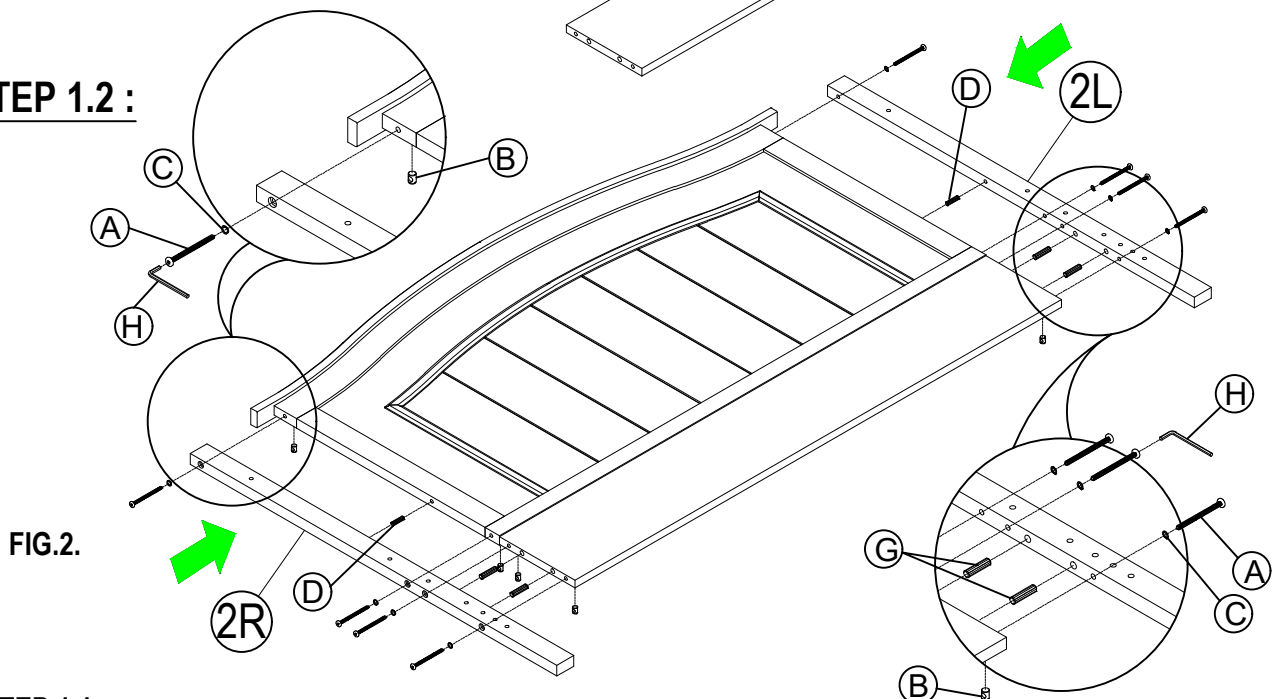
(G) Wood dowel Ø10x40mm (7 pcs)



STEP 1.1 :



STEP 1.2 :



STEP 1.1 :

- Attach Headboard bottom panel (4) to Headboard frame (1) by using Wood dowel (G) as shown in FIG.1.

STEP 1.2 :

- Insert Wood dowel (D) and (G) to Headboard frame as shown in FIG.2. Assembly the Headboard post (L&R) (2) to the hole on Headboard frame (1) and Headboard bottom panel (4) by Allen bolt (A), Spring washer (C) and Barrel Nut (B). Tighten all bolts by Allen Key (H).

STEP 2 " ASSEMBLY OF HEADBOARD TO SIDE FRAME"

THIS STEP REQUIRES :

3. Footboard posts (2 pcs L&R)

7. Left sideboard (1pc)

8. Right sideboard (1 pc)

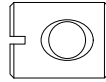
(C) Spring washer (8 pcs)



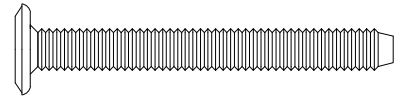
(H) Allen key (1 pc)



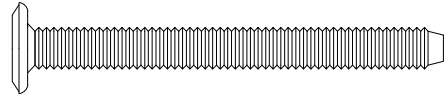
(B) Barrel Nut (4 pcs)



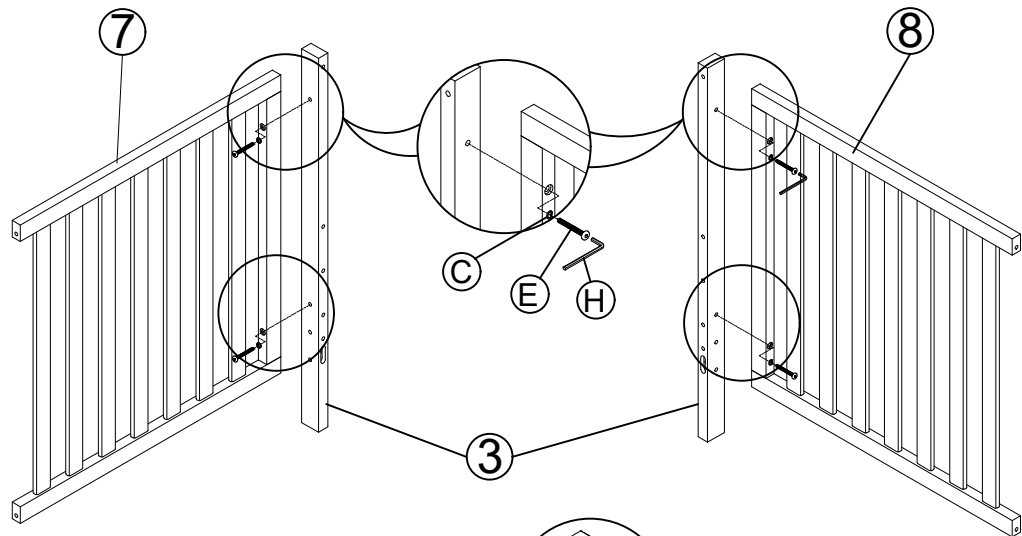
(E) Allenbolt 1-7/8"(48 mm) (4 pcs)



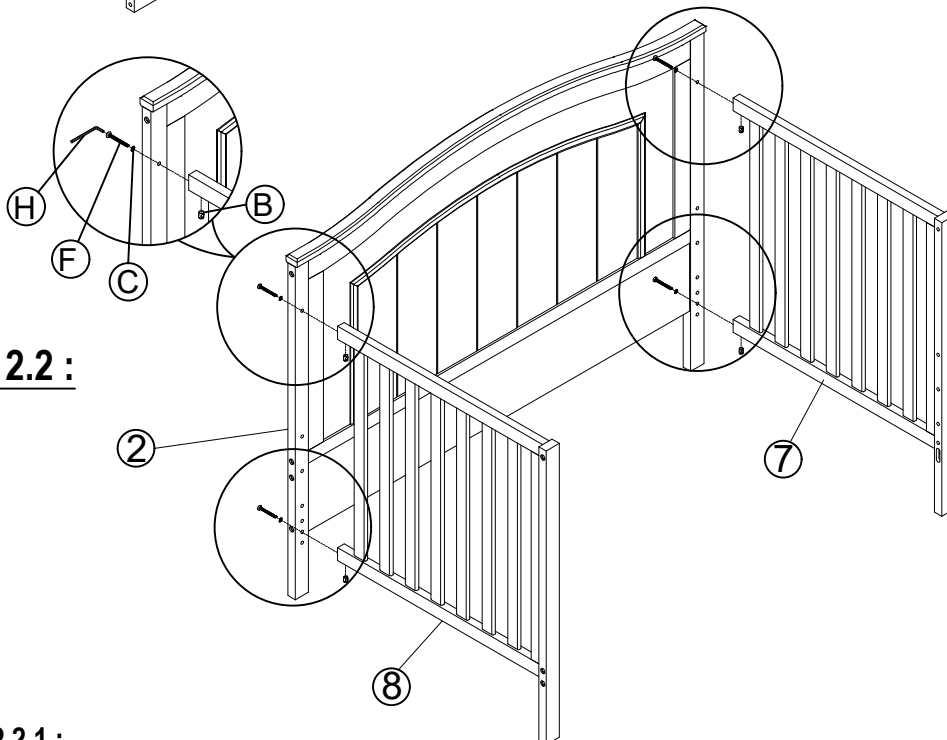
(F) Allenbolt 2-3/16" (55 mm) (4 pcs)



STEP 2.1 :



STEP 2.2 :



STEP 2.1 :

- Assembly Left sideboard (7) and Right sideboard (8) with Footboard Post (L&R) (3) by Allen bolt (E) and Spring washer (C) . Tighten all bolts by Allen key (H).

STEP 2.2 :

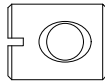
- Assembly the Sideboard (L&R) (7) (8) to the hole on Headboard post (L&R)(2) by Allen bolt (F), Spring washer (C) and Barrel Nut (B). Tighten all bolts by Allen Key (H).

STEP 3 " SPRING INSTALLATION "

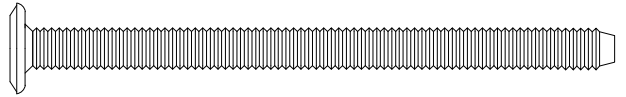
THIS STEP REQUIRES:

- 5. Stabilizer bar (1 pc)
- 9. Mattress Spring (1 pc)

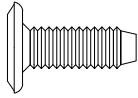
(B) Barrel Nut (2 pcs)



(A) Allen Bolt 3-1/8" (78 mm) (2 pcs)



(K) Allen Bolt 9/16" (15 mm) (4 pcs)



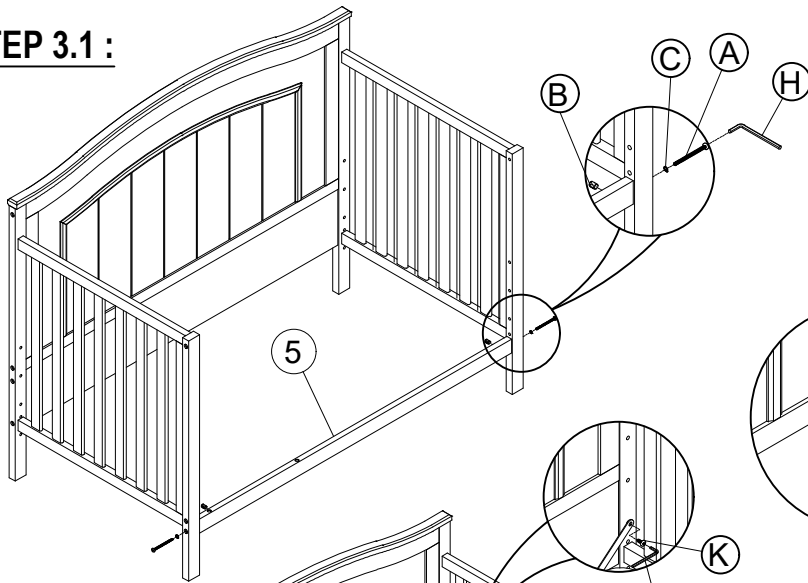
(C) Spring washer (2 pcs)



(H) Allen key (1 pc)

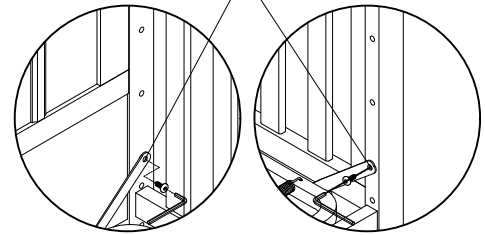


STEP 3.1 :



Lowest position

FIG.3.

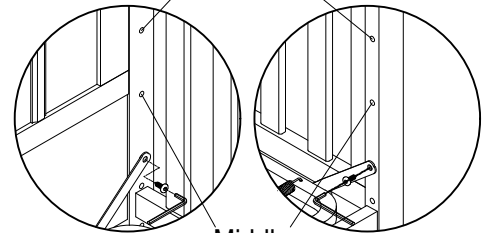


STEP 3.2 :



Highest position

FIG.4.



Middle position

STEP 3.1:

- Assemble Footboard Post (L&R) (3) with Stabilizer bar (5) by Allen bolt (A), Spring washer (C) and Barrel Nut (B). Tighten all bolts by Allen key (H).

STEP 3.2:

- Attach Mattress Spring (9) to Side board as shown in FIG.3.
- Secure with Allen key (H).
- See FIG.4. for height adjustment.
- Make sure the Mattress Spring (9) is leveled after assembly.

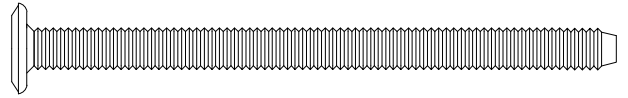
STEP 4 " ASSEMBLY FOOTBOARD"

THIS STEP REQUIRES::

6. Footboard frame (1 pc)

(H) Allen key (1 pc)

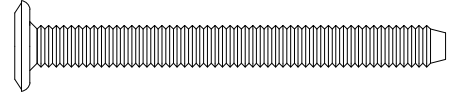
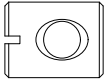
(A) AllenBolt 3-1/8" (78 mm) (2 pcs)



(B) Barrel Nut (2 pcs)

(C) Spring washer (4 pcs)

(F) Allenbolt 2-3/16" (55 mm) (2 pcs)



STEP 4 :



FIG.5.

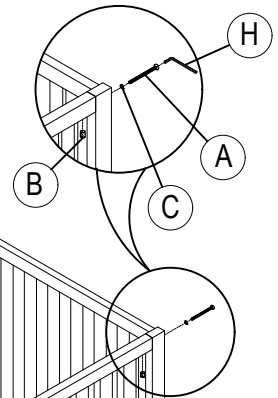


FIG.7.

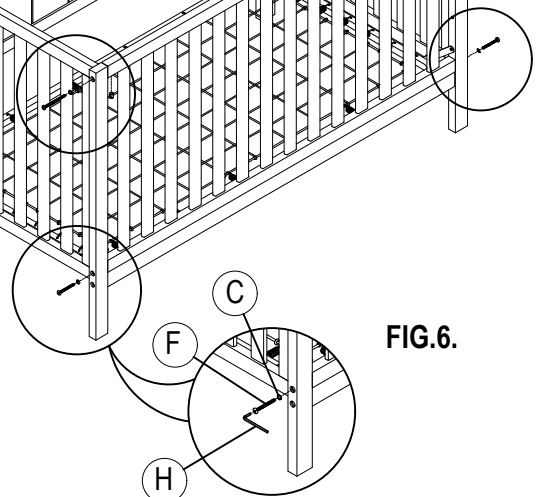



FIG.6.

STEP 4 :

- Assemble the upper rail of Footboard frame (6) to the Footboard Post (L&R) (3) by Allen bolt (A), Spring washer (C) and Barrel Nut (B) as shown in FIG.5. Tighten all bolts by Allen Key (H).
- Assemble the bottom rail of Footboard frame (6) to the Footboard Post (L&R) (3) by Allen bolt (F), Spring washer (C) as shown in FIG.6. Tighten all bolts by Allen Key (H). Complete assembly as shown in FIG.7.

 **“CAUTION: ANY MATTRESS USED IN THIS CRIB MUST BE AT LEAST 27 1/4 INCHES (69 CM) BY 51 5/8 INCHES (131 CM) WITH A THICKNESS NOT EXCEEDING 6 INCHES (15 CM). THE DIMENSIONS OF THE MATTRESS SHALL BE TAKEN FROM SEAM TO SEAM OR EDGE TO EDGE WHERE APPROPRIATE.”**

WARNING!

- READ ALL INSTRUCTIONS BEFORE ASSEMBLING CRIB.

KEEP INSTRUCTIONS FOR FUTURE USE.

- FAILURE TO FOLLOW THESE WARNINGS AND THE ASSEMBLY INSTRUCTIONS COULD RESULT IN SERIOUS INJURY OR DEATH.
- INFANTS CAN SUFFOCATE ON SOFT BEDDING. NEVER ADD A PILLOW OR COMFORTER. NEVER PLACE ADDITIONAL PADDING UNDER AN INFANT.
- TO REDUCE THE RISK OF **SIDS**, PEDIATRICIANS RECOMMEND HEALTHY INFANTS BE PLACED ON THEIR BACKS TO SLEEP, UNLESS OTHERWISE ADVISED BY YOUR PHYSICIAN.

STRANGULATION HAZARD:

- STRINGS CAN CAUSE STRANGULATION! **DO NOT** PLACE ITEMS WITH A STRING AROUND A CHILD'S NECK, SUCH AS HOOD STRINGS OR PACIFIER CORDS. **DO NOT** SUSPEND STRINGS OVER A CRIB OR ATTACH STRINGS TO TOYS.
- TO HELP PREVENT STRANGULATION TIGHTEN ALL FASTENERS. A CHILD CAN TRAP PARTS OF THE BODY OR CLOTHING ON LOOSE FASTENERS.
- **DO NOT** PLACE CRIB NEAR WINDOW WHERE CORDS FROM BLINDS OR DRAPES MAY STRANGLE A CHILD.

FALL HAZARD:

- WHEN CHILD IS ABLE TO PULL TO A STANDING POSITION, SET MATTRESS TO LOWEST POSITION AND REMOVE BUMPER PADS, LARGE TOYS AND OTHER OBJECTS THAT COULD SERVE AS STEPS FOR CLIMBING OUT.
- STOP USING CRIB WHEN CHILD BEGINS TO CLIMB OUT OR REACHES THE HEIGHT OF 35 IN (89 CM). THE CHILD SHOULD BE PLACED IN A YOUTH OR REGULAR BED.
- CHECK THIS PRODUCT FOR DAMAGED HARDWARE, LOOSE JOINTS, LOOSE BOLTS OR OTHER FASTENERS, MISSING PARTS OR SHARP EDGES, BEFORE AND AFTER ASSEMBLY AND FREQUENTLY DURING USE. SECURELY TIGHTEN LOOSE BOLTS AND OTHER FASTENERS. **DO NOT** USE CRIB IF ANY PARTS ARE MISSING, DAMAGED OR BROKEN. CONTACT M DESIGN VILLAGE , 701 COTTONTAIL LANE, SOMERSET, NJ 08873; PHONE: 1-844-247-5908; EMAIL: INFO@MDESIGNVILLAGE.COM FOR REPLACEMENT PARTS AND INSTRUCTIONAL LITERATURE IF NEEDED. **DO NOT** SUBSTITUTE PARTS.
- **DO NOT** USE A WATER MATTRESS WITH THIS CRIB.

WARNING!

- IF REFINISHING, USE A NON-TOXIC FINISH SPECIFIED FOR CHILDREN'S PRODUCTS.
- FOLLOW WARNINGS ON ALL PRODUCTS IN A CRIB.
UPON COMPLETION OF ASSEMBLY, BE SURE ALL SCREWS, BOLTS AND FASTENING DEVICES HAVE BEEN SECURELY TIGHTENED. A FREQUENT CHECK SHOULD BE MADE.
- WHEN STORING CRIB, USE CAUTION AS EXTREME CHANGE IN TEMPERATURE OR HUMIDITY CAN COMPROMISE THE FINISHING QUALITY OF CRIB, MAKING IT EXTREMELY DANGEROUS TO YOUR CHILD
- STORE THE CRIB IN A CLEAN DRY PLACE.
- USE CAUTION WHEN A VAPORIZER OR HUMIDIFIER IS IN USE. ALWAYS AIM VAPOR AWAY FROM THE CRIB AS WELL AS ANY OTHER WOODEN FURNITURE. PROLONGED PERIODS OF HUMIDITY IN STORAGE AS WELL AS THE HOME CAN COMPROMISE THE FINISHING QUALITY OF CRIB.
- AVOID USING VAPORIZERS AND HUMIDIFIER FOR PROLONGED PERIODS OF TIME.
- PLEASE DISPOSE ALL PACKAGING AND PLASTIC BAGS.
- PLEASE CLEAN THE CRIB WITH A DRY CLOTH AND USE MILD WOOD POLISH IF REQUIRED.
- NEVER USE PLASTIC SHIPPING BAGS OR OTHER PLASTIC FILM AS MATTRESS COVERS BECAUSE THEY CAN CAUSE SUFFOCATION.
- INFANTS CAN SUFFOCATE IN GAPS BETWEEN CRIB SIDES AND A MATTRESS THAT IS TOO SMALL.

CANADIAN WARNING

- DO NOT USE THIS CRIB IF YOU CANNOT EXACTLY FOLLOW THE INSTRUCTION THAT COMES WITH IT.
- DO NOT USE THIS CRIB FOR A CHILD WHO CAN CLIMB OUT OF IT OR WHO IS TALLER THAN 89 CM.
- DO NOT PLACE ANY CORD, STRAP OR SIMILAR ITEM IN OR NEAR THIS CRIB THAT COULD BECOME WRAPPED AROUND A CHILD'S NECK.
- DO NOT PLACE THIS CRIB NEAR A WINDOW OR A PATIO DOOR WHERE A CHILD COULD REACH THE CORD OF A BLIND OR A CURTAIN AND BE STRANGLER.
- CHECK THIS CRIB REGULARLY BEFORE USING IT AND DO NOT USE IT IF ANY PARTS ARE LOOSE OR MISSING OR IF THERE ARE ANY SIGNS OF DAMAGE. DO NOT SUBSTITUTE PARTS. CONTACT M DESIGN VILLAGE IF REPLACEMENT PARTS OR ADDITIONAL INSTRUCTIONS ARE NEEDED.
- CHILDREN CAN SUFFOCATE ON SOFT BEDDING. DO NOT PLACE PILLOWS, COMFORTERS OR SOFT MATTRESSES IN THIS CRIB.
- USE A CRIB MATTRESS THAT IS NO THICKER THAN 15 CM AND IS OF SUCH A SIZE THAT, WHEN IT IS PUSHED FIRMLY AGAINST ANY SIDE OF CRIB, IT DOES NOT LEAVE A GAP OF MORE THAN 3 CM BETWEEN THE MATTRESS AND ANY PART OF ANY OTHER SIDES OF THE CRIB.

ASSEMBLY INSTRUCTIONS
for toddler bed
NORTH BAY 4 IN 1 CONVERTIBLE CRIB
Model #18811



GUARDRAIL and CONVERSION KIT sold separately.
Please contact retailer.

STEP 1 " UNINSTALL FOOTBOARD FRAME"

THIS STEP REQUIRES:

(H) Allen key (1 pc)

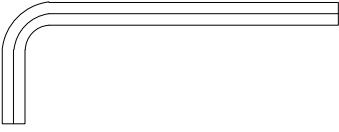
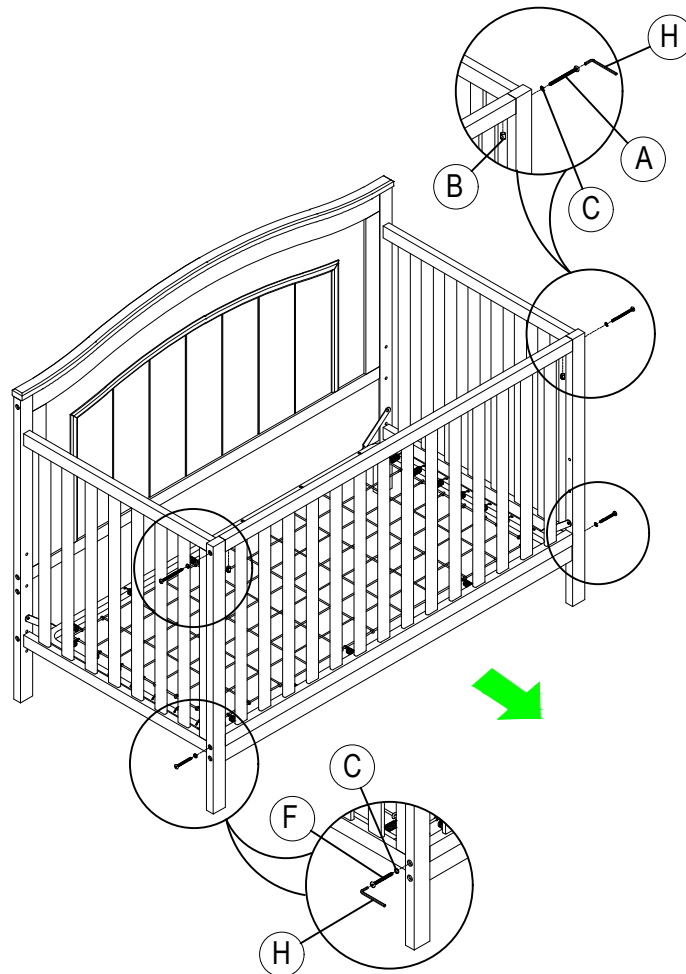


FIG.1



Remove the Footboard frame (6) from the Footboard Post (L&R) (3) by unscrewing (2 pcs) Allen bolt (A) and (2 pcs) Allen bolt (F) as shown in FIG.1.

STEP 2 " MATTRESS SUPPORT HEIGHT ADJUSTMENT "

THIS STEP REQUIRES:

These hardware are included in the CRIB.

H. Allen key (1 pc)



(K) AllenBolt 9/16"(15 mm) (4 pcs)

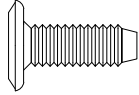
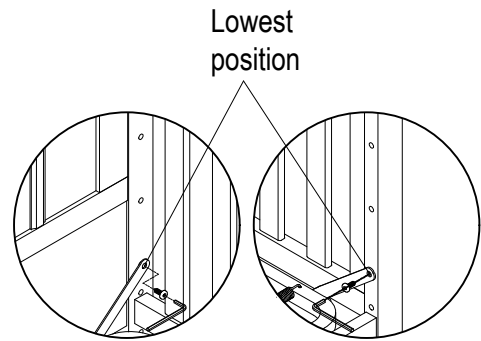



FIG.3.



FIG.2.



- Remove the Allenbolt 9/16"(15 mm) (K) on the Mattress spring.
- Move Mattress spring to the lowest position as shown in FIG.2.
- Attach the Allenbolt 9/16"(15 mm) (K) on the lowest hole of Sideboard.
- Tighten all bolts with Allen key (H).
- Final position as shown in FIG.3.

 **“CAUTION: ANY MATTRESS USED IN THIS CRIB MUST BE AT LEAST 27 1/4 INCHES (69 CM) BY 51 5/8 INCHES (131 CM) WITH A THICKNESS NOT EXCEEDING 6 INCHES (15 CM). THE DIMENSIONS OF THE MATTRESS SHALL BE TAKEN FROM SEAM TO SEAM OR EDGE TO EDGE WHERE APPROPRIATE.”**

 **WARNING!**

FOR TODDLER BED USE

- READ ALL INSTRUCTIONS BEFORE ASSEMBLING TODDLER BED.
KEEP INSTRUCTIONS FOR FUTURE USE.
- FAILURE TO FOLLOW THESE WARNINGS AND THE ASSEMBLY INSTRUCTIONS COULD RESULT IN SERIOUS INJURY OR DEATH FROM ENTRAPMENT OR STRANGULATION.
- **CAUTION:** THE MATTRESS INTENDED FOR USE ON THE BED SHALL BE A FULL-SIZE CRIB MATTRESS HAVING MINIMUM DIMENSION OF 51 5/8 INCHES (1310 MM) IN LENGTH AND 27 1/4 INCHES (690 MM) IN WIDTH AND NOT EXCEEDING 6 INCHES (150 MM) IN THICKNESS. THE DIMENSION OF THE MATTRESS SHALL BE TAKEN FROM SEAM TO SEAM OR EDGE TO EDGE WHERE APPROPRIATE.
- THE MINIMUM AGE OF THE INTENDED USER SHALL NOT BE LESS THAN 15 MONTHS AND THE MAXIMUM WEIGHT SHALL NOT BE GREATER THAN 50 LB (22.7 KG).
- **GUARDRAIL (SOLD SEPARATELY) MUST BE USED** WHEN CRIB USED AS A TODDLER BED TO AVOID THE FORMATION OF A GAP BETWEEN THE MATTRESS AND THE BED THAT COULD CAUSE AN ENTRAPMENT.
- **DO NOT** PLACE BED NEAR WINDOWS WHERE CORDS FROM BLINDS OR DRAPES MAY STRANGLE A CHILD.
- **DO NOT** PLACE ITEMS WITH A STRING, CORD, OR RIBBON AROUND A CHILD'S NECK, SUCH AS HOOD STRINGS OR PACIFIER CORDS.
- **DO NOT** SUSPEND STRINGS OVER A TODDLER BED FOR ANY REASON.
- WHEN STORING TODDLER BED USE CAUTION AS EXTREME CHANGE IN TEMPERATURE OR HUMIDITY CAN COMPROMISE THE TODDLER BED MAKING IT EXTREMELY DANGEROUS TO YOUR CHILD. STORE THE TODDLER BED IN A CLEAN DRY PLACE.
- USE CAUTION WHEN A VAPORIZER OR HUMIDIFIER IS IN USE. ALWAYS AIM VAPOR AWAY FROM THE TODDLER BED AS WELL AS ANY OTHER WOODEN FURNITURE. PROLONGED PERIODS OF HUMIDITY IN STORAGE AS WELL AS THE HOME CAN COMPROMISE THE TODDLER BED.
- AVOID USING VAPORIZERS AND HUMIDIFIER FOR PROLONGED PERIODS OF TIME.
- PLEASE DISPOSE ALL PACKAGING AND PLASTIC BAGS.
- PLEASE CLEAN THE TODDLER BED WITH A DRY CLOTH AND USE MILD WOOD POLISH IF REQUIRED.
- **PREVENT BURNS.** KEEP BED AWAY FROM OPEN FIRES AND OTHER HEAT SOURCES.
- CHECK THIS PRODUCT FOR DAMAGED HARDWARE, LOOSE JOINTS, LOOSE BOLTS OR OTHER FASTENERS, MISSING PARTS OR SHARP EDGES BEFORE AND AFTER ASSEMBLY AND FREQUENTLY DURING USE. SECURELY TIGHTEN LOOSE BOLTS AND OTHER FASTENERS. **DO NOT** USE CRIB IF ANY PARTS ARE MISSING, DAMAGED OR BROKEN. CONTACT M DESIGN VILLAGE , 701 COTTONTAIL LANE, SOMERSET, NJ 08873; PHONE: 1-844-247-5908; EMAIL: INFO@MDESIGNVILLAGE.COM FOR REPLACEMENT PARTS AND INSTRUCTIONAL LITERATURE IF NEEDED. **DO NOT** SUBSTITUTE PARTS.



WARNING ENTRAPMENT/STRANGULATION HAZARD

- INFANTS HAVE DIED IN TODDLER BEDS FROM ENTRAPMENT AND STRANGULATION.
- FAILURE TO FOLLOW THESE WARNINGS AND THE ASSEMBLY INSTRUCTIONS COULD RESULT IN SERIOUS INJURY OR DEATH.
- **NEVER** USE BED WITH CHILDREN UNDER 15 MONTHS.
- **NEVER** PLACE BED NEAR WINDOWS WHERE CORDS FROM BLINDS OR DRAPES MAY STRANGLE A CHILD.



WARNING

INFANTS HAVE DIED IN TODDLER BEDS FROM ENTRAPMENT.

- OPENINGS IN AND BETWEEN BED PARTS CAN ENTRAP HEAD AND NECK OF A SMALL CHILD.
- **NEVER** USE BED WITH CHILDREN YOUNGER THAN 15 MONTHS.
- **ONLY** USE FULL-SIZE CRIB MATTRESS OF THE RECOMMENDED SIZE.
- **ALWAYS** FOLLOW ASSEMBLY INSTRUCTIONS.



WARNING

STRANGULATION HAZARD

- **NEVER** PLACE BED NEAR WINDOWS WHERE CORDS FROM BLINDS OR DRAPES MAY STRANGLE A CHILD.
- **NEVER** SUSPEND STRINGS OVER BED.
- **NEVER** PLACE ITEMS WITH A STRING, CORD, OR RIBBON, SUCH AS HOOD STRINGS OR PACIFIER CORDS, AROUND A CHILD'S NECK. THESE ITEMS MAY CATCH ON BED PARTS